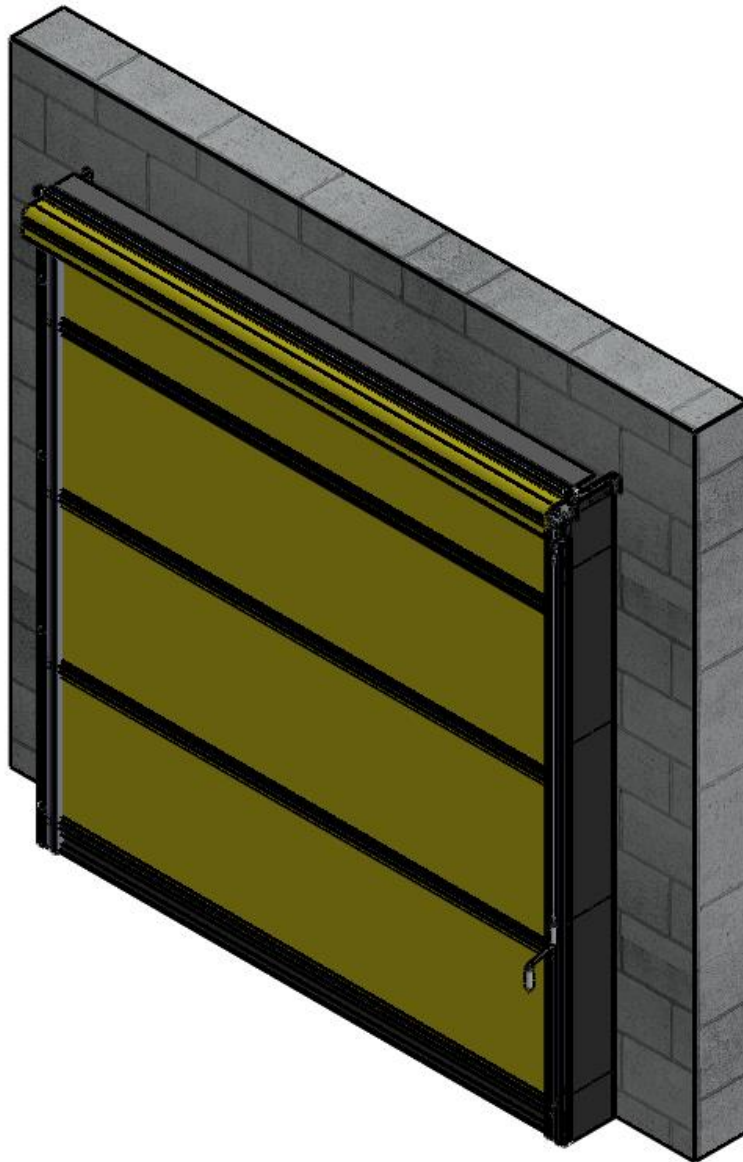


G1 STANDARD HAND CRANK SERIES DOOR PROJECTION MOUNTED INSTALLATION INSTRUCTIONS

READ THIS MANUAL CAREFULLY. OBSERVE WARNINGS AND PRACTICE CAUTION WHEN INSTALLING, OPERATING, OR MAINTAINING YOUR GOFF'S DOOR ASSEMBLY.



PREPARE MOUNTING SURFACE AND SECURE HEADER OFFSET BRACKETS

1. Measure the existing door width at the opening or frame from the outermost edges on each side near the top of the opening. Divide that overall width measurement in half to find and clearly mark the center of the top of the door frame or its header. (Figure 1 MEASURE/MARK OPENING)
2. Place the G1 Door roll Header Assembly across a safe and level work surface, and rotate the roll assembly frame so that the Header Bracket Mounting flanges are facing upward. (Figure 2 MEASURE DOOR WIDTH).
3. Measure the total width of the whole roll assembly from outermost edge of one Header Bracket's Mounting flange to the outermost edge of the opposite side. (Figure 2 MEASURE DOOR WIDTH)
4. Divide that number by 2, and measure to each side of the center mark in step 1. Mark a vertical line at these locations. This is where the outer edges of the Header Bracket's Mounting flanges will be. (Figure 3 MARK DOOR WIDTH ON WALL)
5. Set one of the Vertical Track Assemblies on your work surface and measure the length of the vinyl Track only. ADD 3-1/2" to this number and take note. This is the height dimension needed to mark the location of the Bottom edge of the Header Mounting Brackets. With this number, add a horizontal line on each side of the opening that intersects the previously drawn vertical line marking the overall width of the roll assembly. (Note: This mark should be 3-3/4" above the opening height.) (Figure 4 MEASURE TRACK HEIGHT) (Figure 5 MARK TRACK HEIGHT)

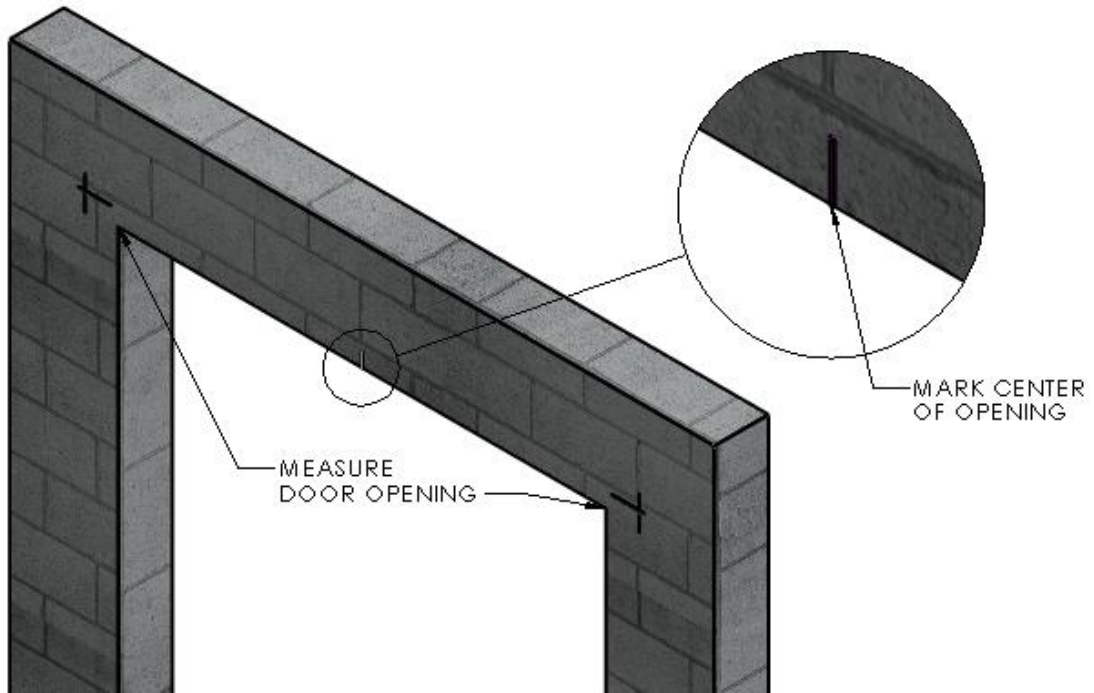


Figure 1 MEASURE/MARK OPENING

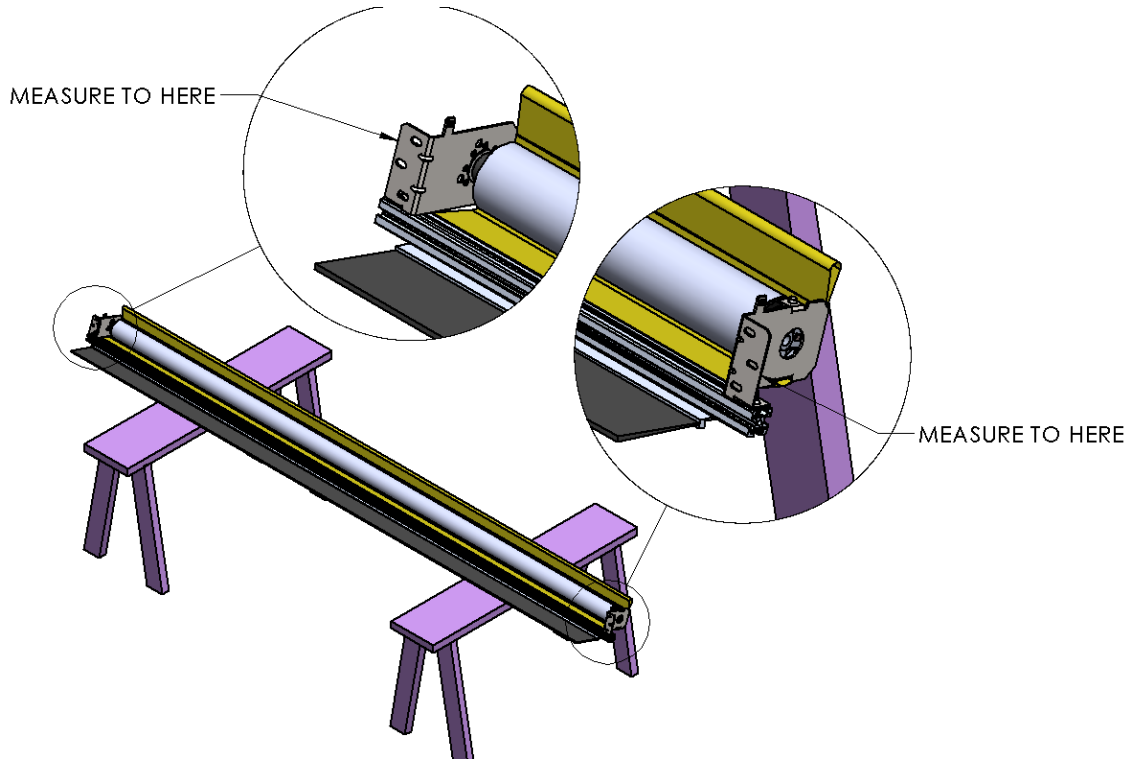


Figure 2 MEASURE DOOR WIDTH

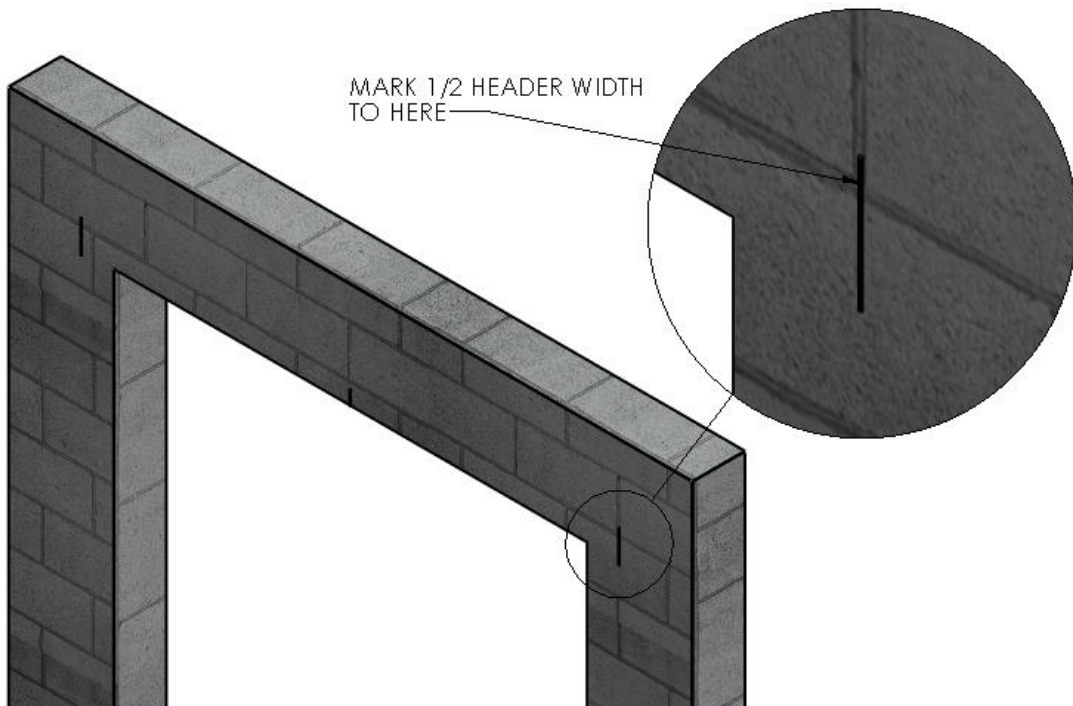


Figure 3 MARK DOOR WIDTH ON WALL

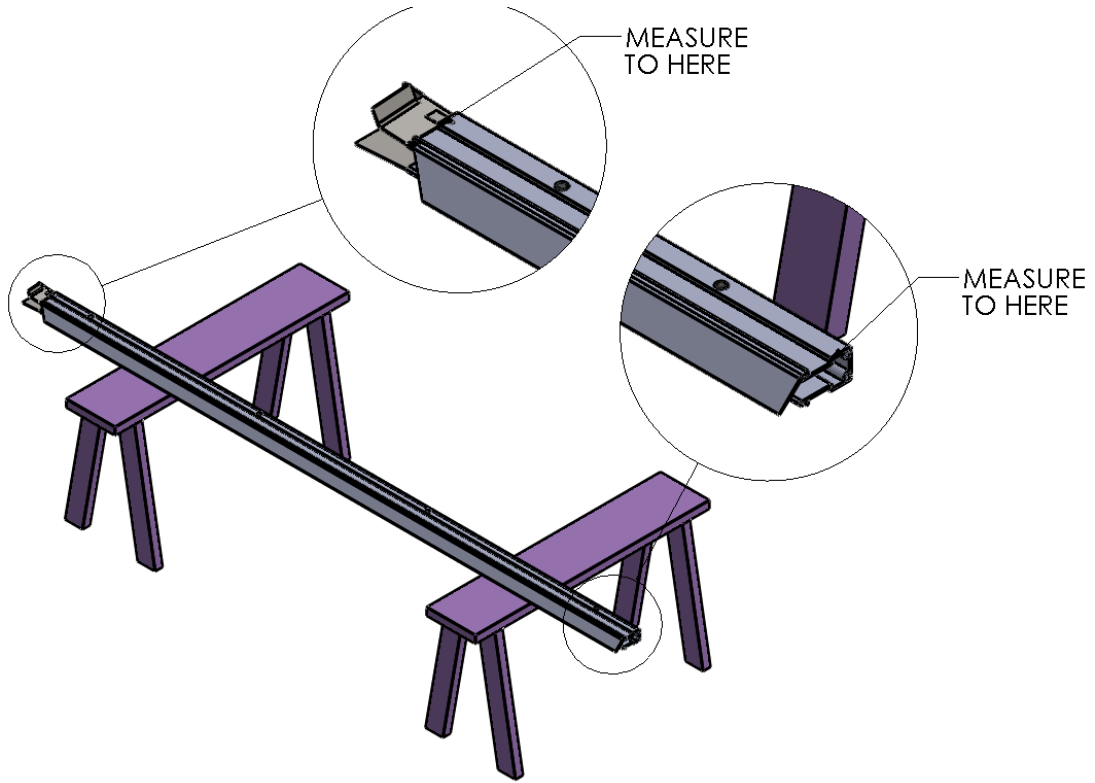


Figure 4 MEASURE TRACK HEIGHT

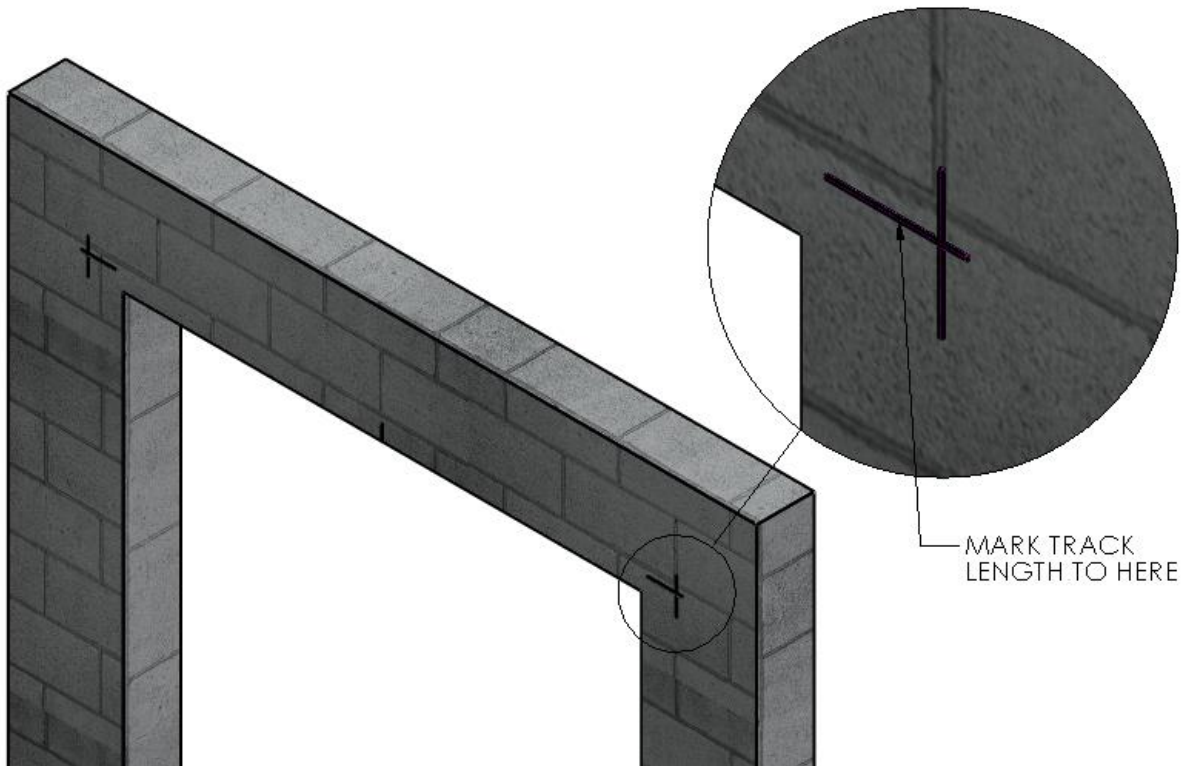


Figure 5 MARK TRACK HEIGHT

G1 STANDARD SERIES DOOR PROJECTION MOUNTING INSTALLATION INSTRUCTIONS

READ THIS MANUAL CAREFULLY. OBSERVE WARNINGS AND PRACTICE CAUTION WHEN INSTALLING, OPERATING, OR MAINTAINING YOUR GOFF'S DOOR ASSEMBLY.

1. With the slotted end of the Header Mounting Projection Bracket against the Mounting Surface, align the top surface of the Header Mounting Bracket with the Horizontal line on the Mounting Surface, and align the outer edge of the Header Mounting Bracket with the Vertical line on the mounting surface. (Figure 6 LOCATE/INSTALL HEADER PROJECTION MOUNTING BRACKET)
2. Trace the slotted mounting slots onto the Mounting Surface. Be sure that its flange is facing outward.

3. Predrill through the centers of the traced locations for the mounting hardware, three (3) pilot holes on each side. Using adequate mounting screws or bolts (appropriate for your building/surface material) attach the header Projection brackets to each side of the opening. (Figure 6 LOCATE/INSTALL HEADER PROJECTION MOUNTING BRACKET)

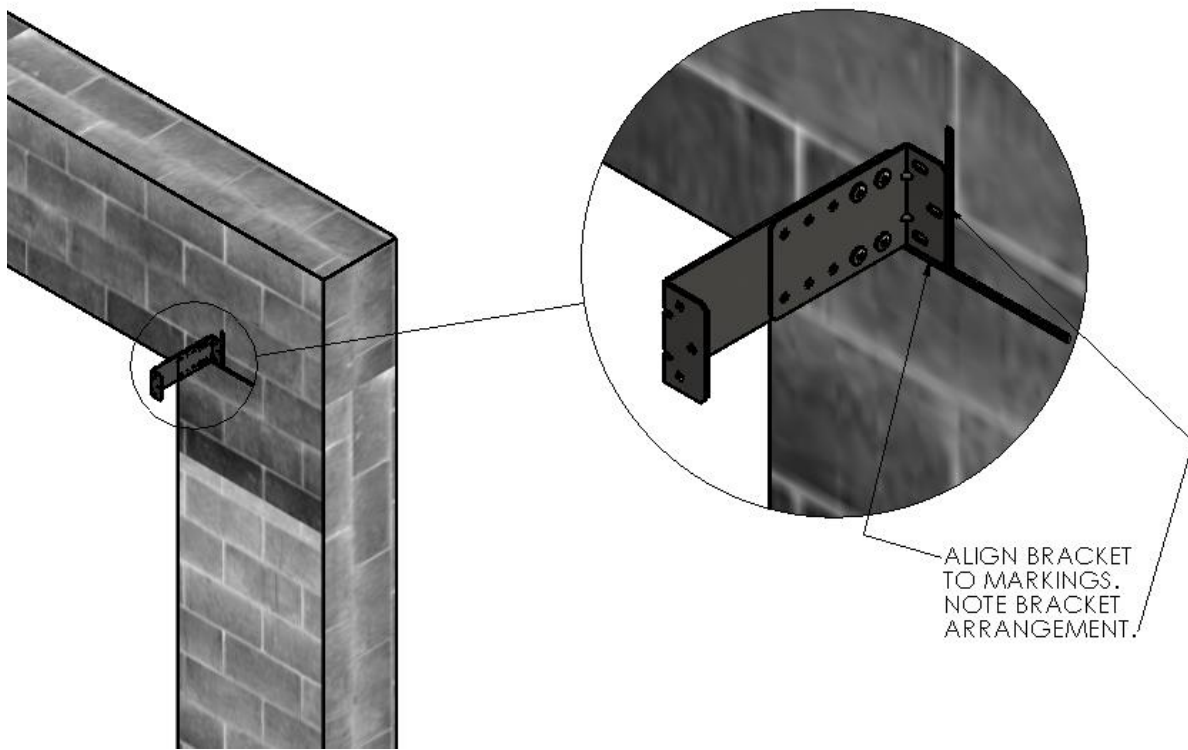


Figure 6 LOCATE/INSTALL HEADER PROJECTION MOUNTING BRACKET

RAISE AND ATTACH THE ROLL HEADER ASSEMBLY

1. Using two (2) people, and two ladders at minimum, raise the Roll Header Assembly into place on the Projection Brackets and loosely tighten with three (3) sets of ¼-20 screws and hex nuts per side. Do not fully tighten hardware until the Header Assembly Brackets are aligned with the Projection Bracket's edges. (Figure 7 MOUNT HEADER ASSEMBLY TO PROJECTION BRACKETS)
2. Check the Header Assembly for level, and make any necessary final adjustments. Once aligned, fully tighten all six sets of hardware.
3. At this point leave the roll assembly tied off and held in place as it comes.

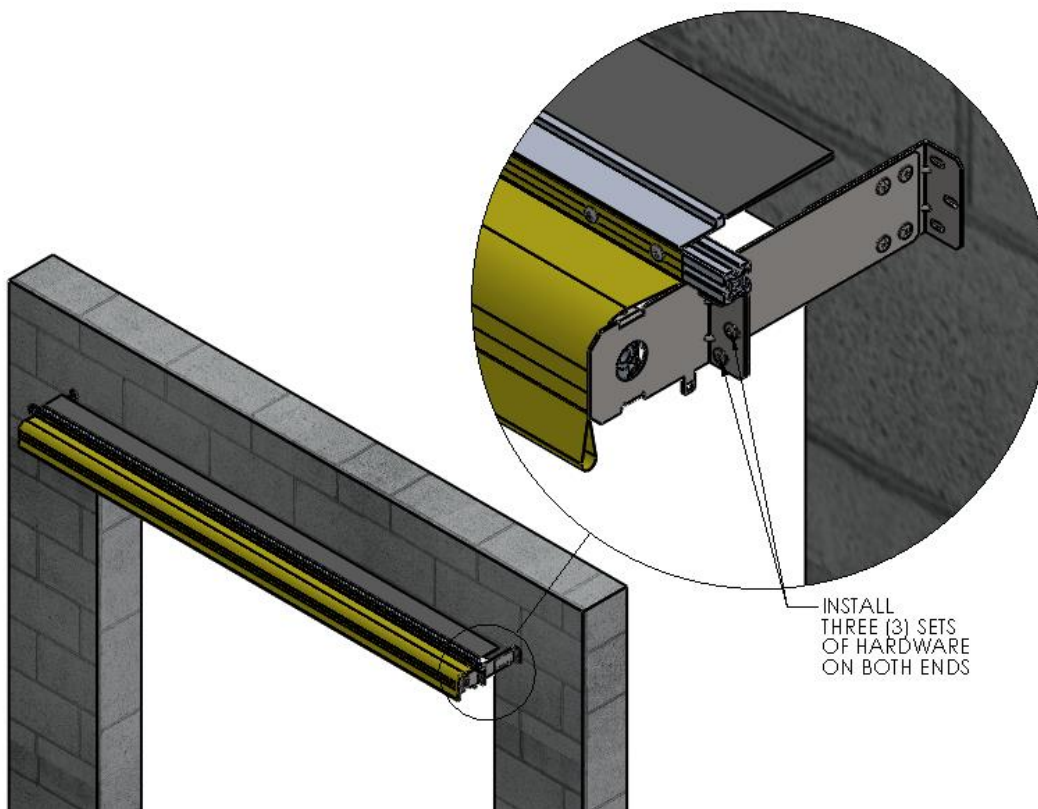


Figure 7 MOUNT HEADER ASSEMBLY TO PROJECTION BRACKETS

PREPARE THE VERTICAL TRACK ASSEMBLIES

Note: The Tracks have hardware installed for the Projection Bracket mounting. Also, they are marked for orientation as Left Side, and Right Side.

1. Lay the two Vertical Track Assemblies on your work surface, and un-roll the Side Seal material.
2. Locate the Track Projection Mount Brackets, four (4) per Track, and four the ¼-20 Screws and Flanged Nuts.
3. Remove the Plug from the front of the Track, then push a screw through the hole in the back surface from the inside of the Track.

4. Slip the Projection Bracket with the hole facing the Track, and then thread the nut, onto the screw. The slotted end of the Projection Bracket will fasten to the mounting surface in a later step. These brackets should be mounted so that they are horizontally oriented, i.e. so that they are parallel to the floor (NOT vertically oriented /up and down). (Figure 8 TRACK PROJECTION BRACKET ARRANGEMENT)
5. Fully tighten the hardware for these brackets once they are aligned with the Track edges. Re-install the Plug Caps into the hardware access holes on the front side of these Tracks.

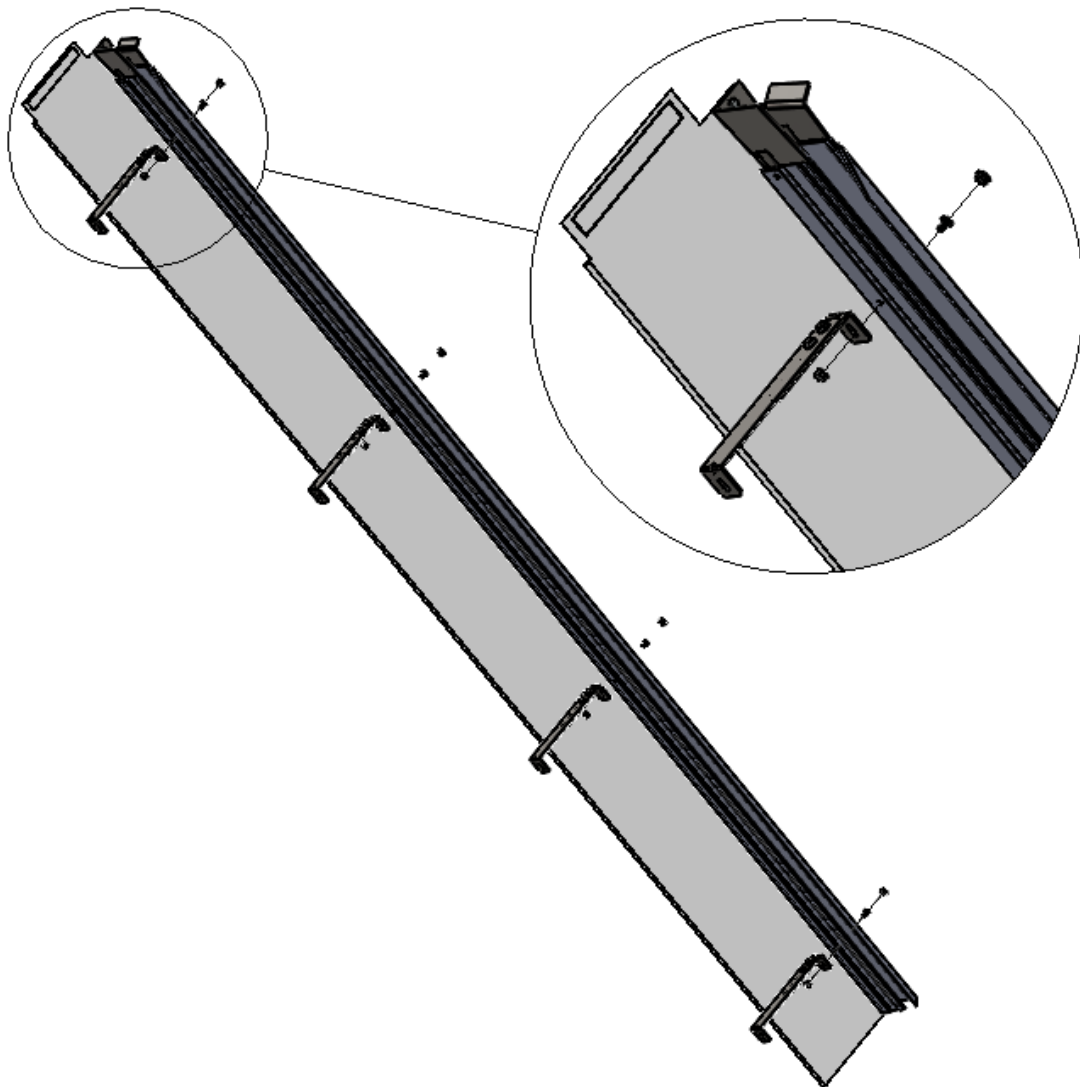


Figure 8 TRACK PROJECTION BRACKET ARRANGEMENT

MOUNT THE VERTICAL TRACKS

Note: For the next step - The Transition Bracket of the Track Assembly should be mounted inside of the Header Bracket Tab.

1. Starting with either left or right side, remove the nut and washer of the Track Mounting Hardware from the Track Assembly.
2. Align the Track under its respective Header Mounting Bracket, and “hang” the Track Assembly by its Transition Bracket Mounting Hardware. (Figure 9 TRACK MOUNTING HARDWARE), and (Figure 10 G1 STANDARD MOUNT TRACK TO HEADER)
3. With the carriage bolt inserted from the inside of the Track Transition, snug the washer and hex nut on the outside of the assembly, as shown. Just snug this hardware for now. (Figure 10 G1 STANDARD MOUNT TRACK TO HEADER)
4. With the Track loosely “hanging” in this position, plumb the Track to make sure it is vertically aligned, and that its standoff brackets are touching the wall/mount surface. Usually with two people (one holding the Track assembly in place), use a marker to trace the slotted mount holes on the wall to mark their pilot hole locations.
5. Move the Track Assembly off to the side and predrill its mounting holes. Move it back into place and secure it to the wall with appropriate hardware. Be sure to plumb each Track (vertical) before fully tightening hardware. The Track to Header Hardware will be removed and replaced in the next step, so snug them for now.

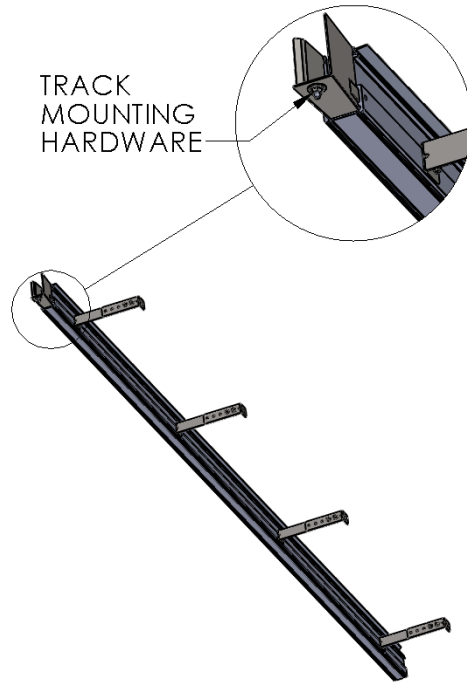


Figure 9 TRACK MOUNTING HARDWARE

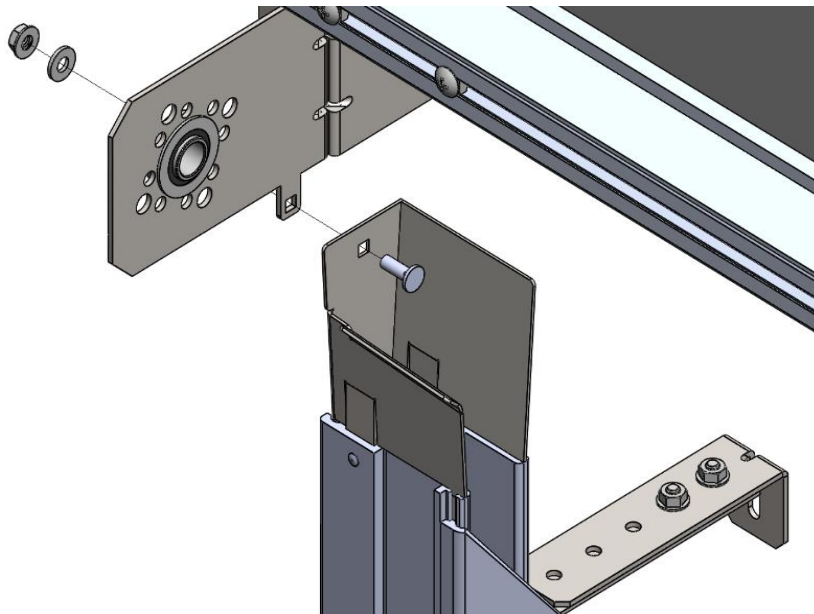


Figure 10 G1 STANDARD MOUNT TRACK TO HEADER

MOUNT THE SIDE SEAL

1. Remove the nut and washer from the Track Transition Bracket, and re-install them over the Side Seal grommet. Secure the top edge of the Side Seal to the Header Projection Brackets via the hook-and-loop strips provided in the hardware bag.
(Figure 11 SECURE SIDE SEAL)
2. Fold the Side Seal Material to flatten it against the wall, and secure it through the material into the wall with appropriate screws. (Figure 11 SECURE SIDE SEAL)

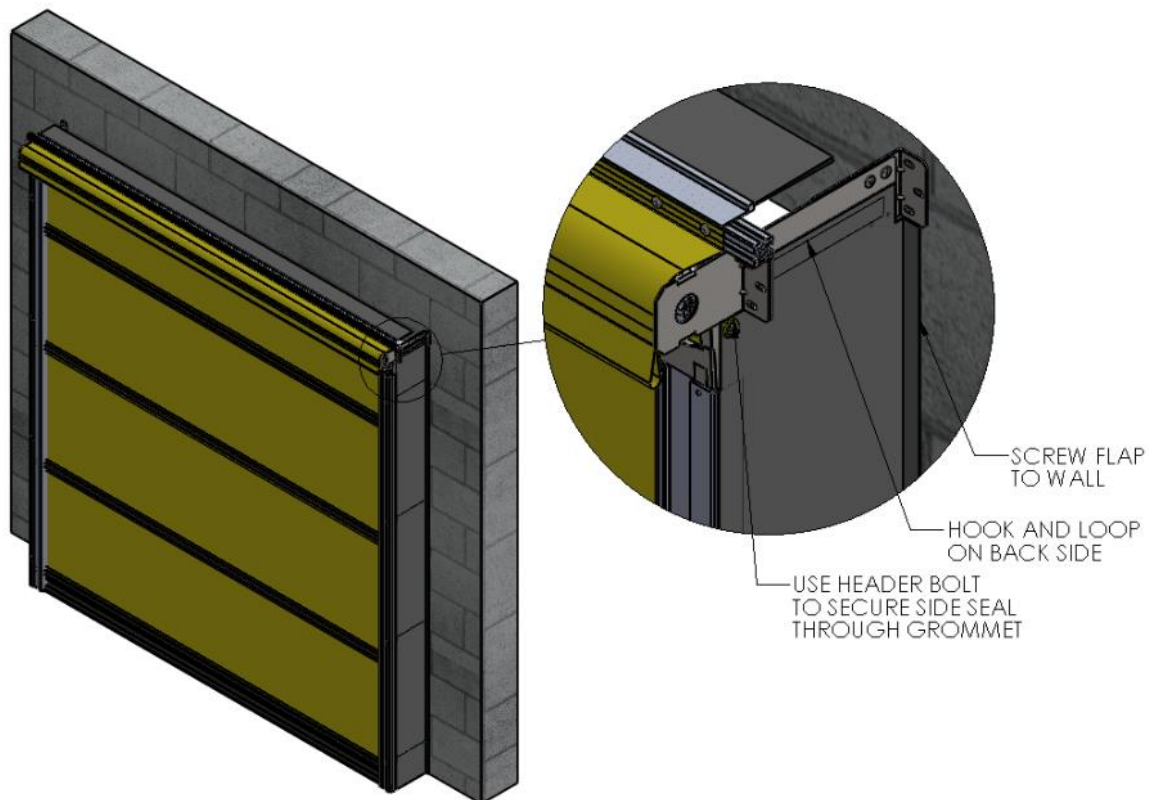


Figure 11 SECURE SIDE SEAL

CHECK ALL MOUNTINGS AND CONNECT OPERATOR

1. With everything mounted, take a moment to check all of your hardware, and all of the components for horizontal and vertical alignments.
2. Release the ties on the roll assembly.

3. Insert the handle's hook into the loop of the Driver Assembly. (Figure 12 INSTALL CRANK HANDLE)

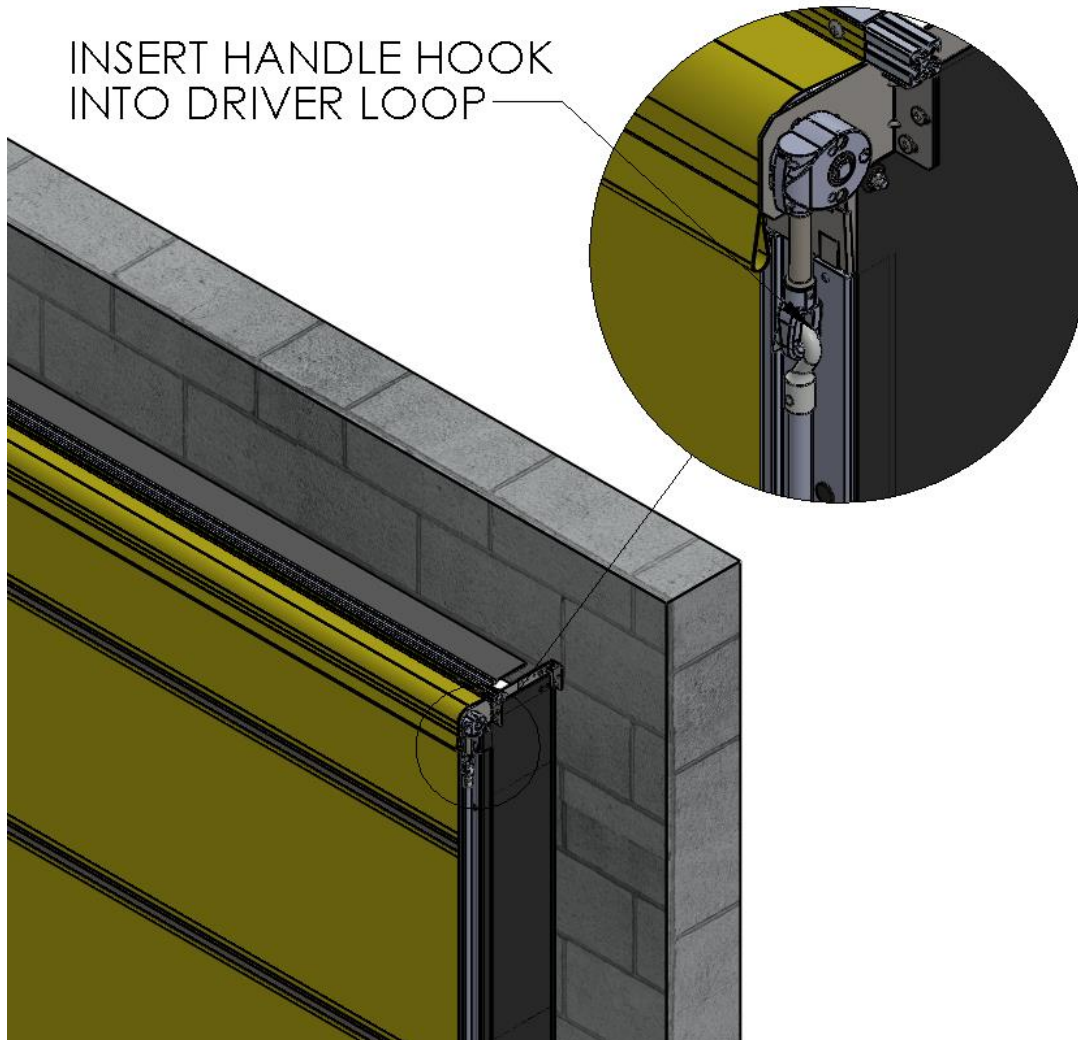


Figure 12 INSTALL CRANK HANDLE

WARNING

ALL INSTALLATION INSTRUCTIONS MUST BE FOLLOWED, AND CRITICAL ALIGNMENT REQUIREMENTS MUST BE MET.

- ENSURE THAT THE ROLL HEADER ASSEMBLY IS LEVEL, AND THAT THE TRACKS AND BRACKETS ARE ALL PLUMB, AND SQUARE-

OTHERWISE, THE PERFORMANCE AND CONSISTENT OPERATION OF YOUR DOOR WILL BE COMPROMISED.

LIMITED WARRANTY

G1 Bug Screen/Vinyl Doors



Goff's Enterprises, Inc. warrants all G1 bug screen/vinyl doors from failure in normal use due to defects in material or workmanship for a period of **TWO years** from date of purchase with warranty related labor for the first year as approved by Goff's Technical Support Team.

Goff's Enterprises, Inc. may elect to repair or replace defective or damaged goods.

Technical Support Team: 262-746-3374