



Strip Door Installation Instructions

Diagram 1
Under Header (Lintel) Position

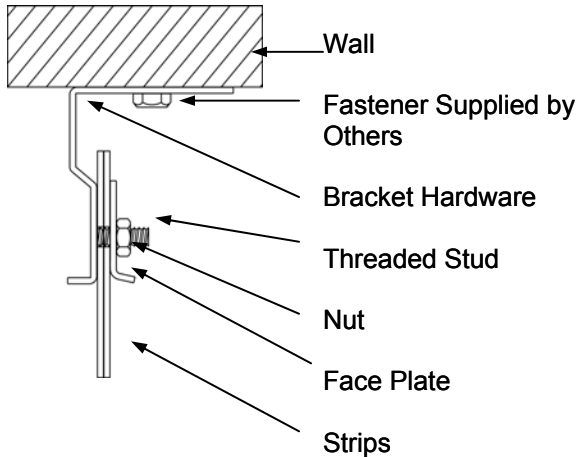


Diagram 2
Wall (Header) Position

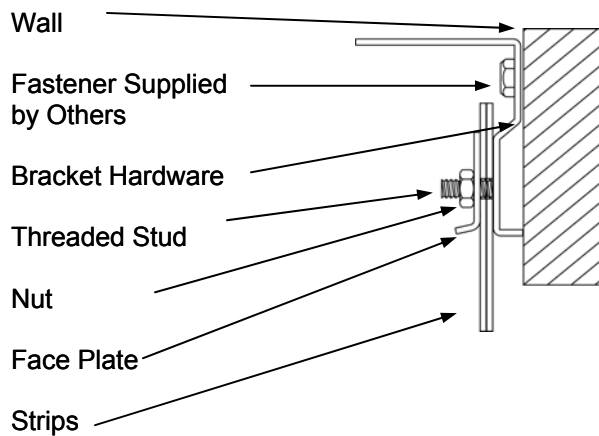
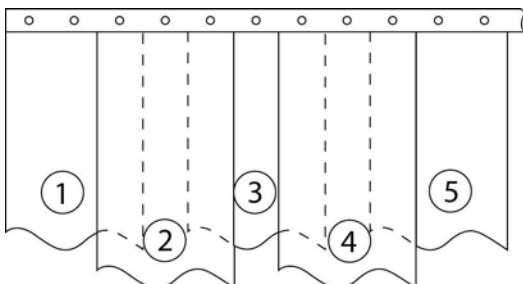


Diagram 3
Front View Strip Spacing



TOOLS NEEDED

- Pen or Pencil to Mark Drill Holes
- Drill
- 7/16" Diameter Fasteners
- Step Stool or Ladder
- Utility Knife to Cut Strips

IMPORTANT

Prior to installation, **unroll all door strips** and place them on a clean, flat surface in a warm atmosphere for a minimum of twenty-four (24) hours. This will allow the strips to return to their original form.

1. Mount the hardware bracket in either the under header or wall position shown in Diagrams 1 and 2 using appropriate fasteners supplied by others (recommended 7/16" diameter).
2. Press the door strips onto the threaded studs of the hardware bracket making certain that the concave sides are facing each other (Diagram 4). Attach strip numbers 1 and 3 (see Diagram 3) with concave side toward you, leaving desired spacing between strips as indicated by the diagram on reverse side of this sheet.

Diagram 4



3. Attach strip number 2 with concave side away from you over strip numbers 1 and 3 (Diagram 3). Slide the supplied face plates onto the threaded studs. Then, screw the supplied nuts onto the threaded studs.
4. Attach all of the remaining door strips in the same manner as in Steps 2 and 3 making certain that the concave sides face each other (Diagram 4).
5. After all door strips have been attached, the strips should be trimmed to leave 1/4" of clearance from the floor surface. Your PVC door strips may be trimmed by using a common utility knife to score and then be torn by hand. **The door strips need to hang for 24 to 48 hours before final trim to allow for proper alignment.**

GOFF'S ENTERPRISES

700 Hickory Street Pewaukee, WI 53072 • Phone (262) 691-4998 or toll free 1-800-234-0337

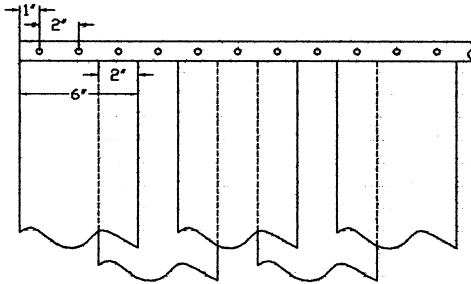
Fax: (262) 691-3255 • www.goffscurtainwalls.com

STRIP PLACEMENT GUIDE

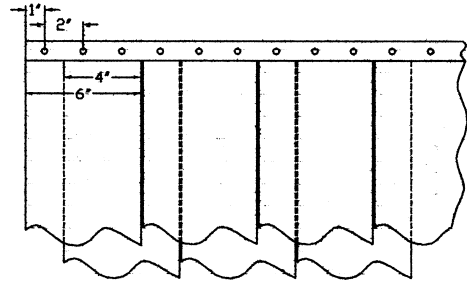
PARTIAL OVERLAP

FULL OVERLAP

6" WIDE MATERIAL

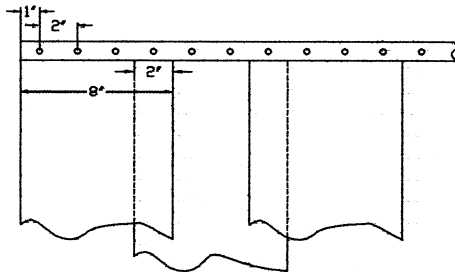


PARTIAL OVERLAP 66%

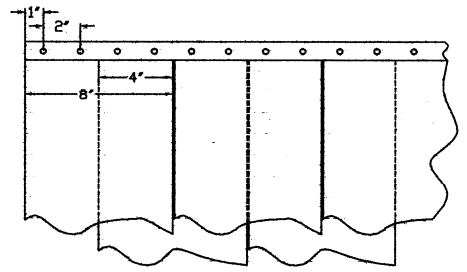


FULL OVERLAP 100%

8" WIDE MATERIAL

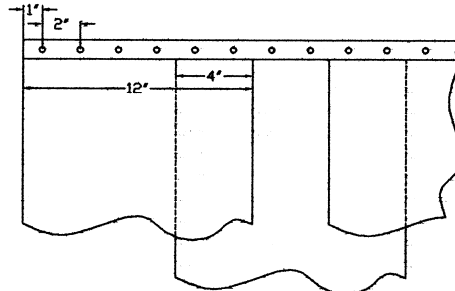


PARTIAL OVERLAP 50%

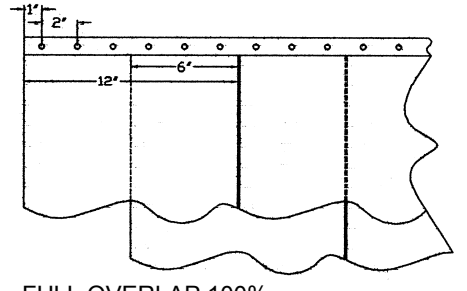


FULL OVERLAP 100%

12" WIDE MATERIAL

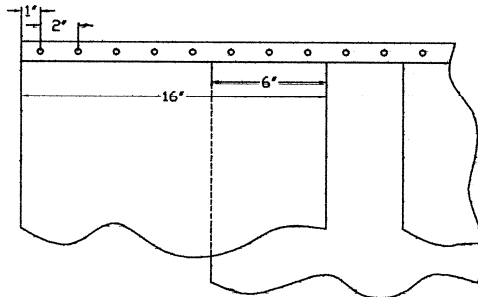


PARTIAL OVERLAP 66% (4")
PARTIAL OVERLAP 33% (2")

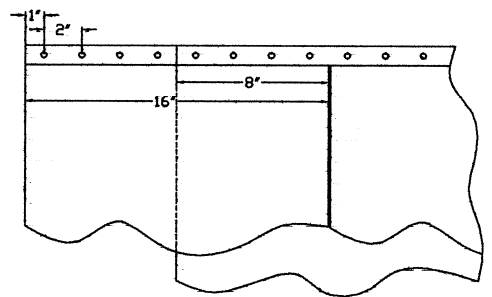


FULL OVERLAP 100%

16" WIDE MATERIAL



PARTIAL OVERLAP 75% (6")
PARTIAL OVERLAP 50% (4")
PARTIAL OVERLAP 25% (2")



FULL OVERLAP 100%