

# Goff's Site Survey for Face Mounting, Projection Mounting & Under Header Style Doors

Customer \_\_\_\_\_  Inside/  Outside of building Quote/Order # \_\_\_\_\_

NOTE: Ideal Fitment is achieved with a fully completed form and pictures.

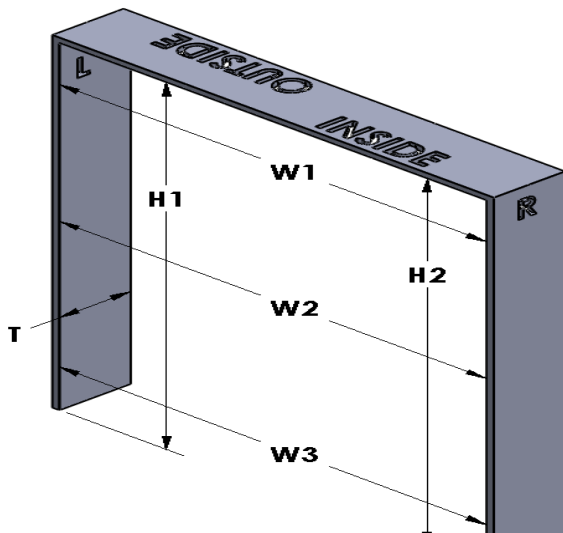
## 1) MEASURE OPENING

Do NOT assume W & H Dim's are the same

- \_\_\_\_\_ "W1" - Width @ Top
- \_\_\_\_\_ "W2" - Width @ Middle
- \_\_\_\_\_ "W3" - Width @ Bottom
- \_\_\_\_\_ "H1" - Height @ Left
- \_\_\_\_\_ "H2" - Height @ Right
- \_\_\_\_\_ "T" - Jamb Depth

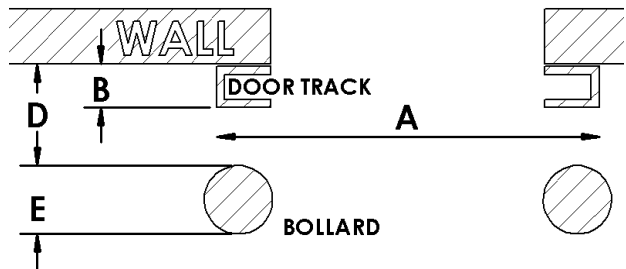
- \_\_\_ Is the **Left** side Plumb?
- \_\_\_ Is the **Right** side Plumb?
- \_\_\_ Is the **Top** level?

Note irregularities and send photos \_\_\_\_\_



## 2) LOCATE OBSTRUCTIONS (Include Photos)

- \_\_\_\_\_ "A" Dimension from the Outside of one Track to the Outside of the other.
- \_\_\_\_\_ "B" Mounting surface to Front of Track @ Floor.
- \_\_\_\_\_ "D" Mounting surface to Bollards Etc.
- \_\_\_\_\_ "DH" Height of Bollard.
- \_\_\_\_\_ "E" Bollard size.



## 3) PROJECTION over Existing Over-Head Sectional Door (See Section 4 for Door Style)

Give "C" Dimension – **Track to Wall Face** @ height indicated.

- Standard OH Door "C1" \_\_\_\_\_ @ 8" above Header.
- Low-Headroom OH Door "C2" \_\_\_\_\_ @ Track Joint, & "HT" to Track Joint \_\_\_\_\_.
- Vertical OH Door "C3" \_\_\_\_\_ @ 8" above Header.

## 4) EXISTING - DOOR STYLE (Include Photos)

