

## Patient Care Tent Installation Instructions



*Figure 1 Completed Patient Care Tent*

### Tools Required:

Allen Wrench 3/16" – Provided

Vise Grips (for crimping Tracks, and Hooks)

### General Notes:

- 1) Allow Curtains to warm to room temperature before unfolding.
- 2) Each *Track Assembly* requires two (2) equal length Track Pieces – i.e. Wall length divided by 2.
- 3) Curtains use one (1) *Roller Assembly* per foot of Curtain, plus one (1) at the end (i.e. 8' Curtain = 9 Roller Assemblies). If the Wall has no Curtains, no Roller Assemblies are needed.
- 4) Crimp *Track ends* slightly to make assembly easier.
- 5) Crimp the *Roller Assembly Hook* closed after inserted into the Curtain's Grommet.
- 6) An Index of parts, and their names, is at the end of these Instructions.

### **End Wall Track Assembly**

Both End Walls require: Two (2) Tracks (See note 2 on Page 1), two (2) Corner Track Brackets, one (1) Track Splice Bracket, four (4) Set Screws, Roller Assemblies (See note 3 on Page 1), and two (2) End Stop Brackets. (Figure 2 End Wall Construction Overview)

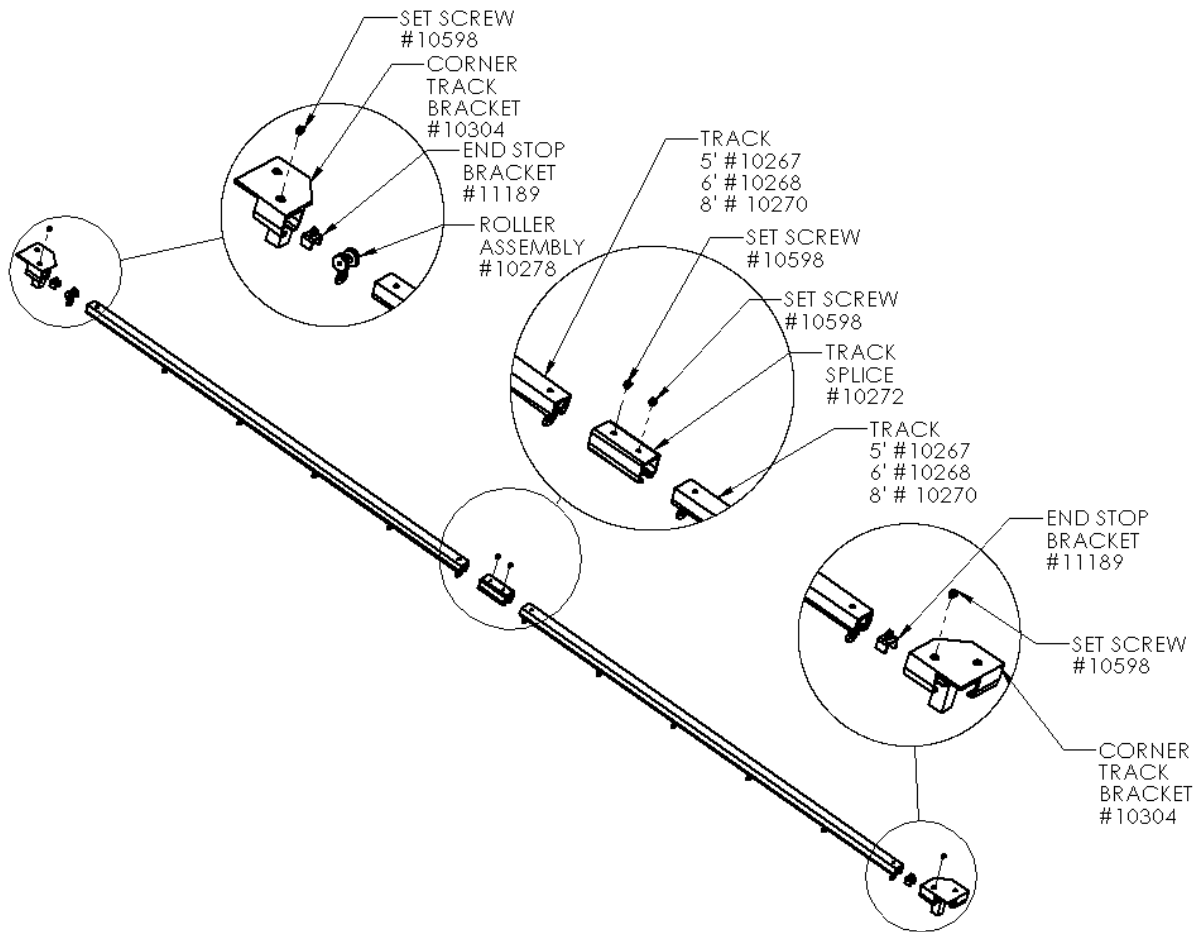
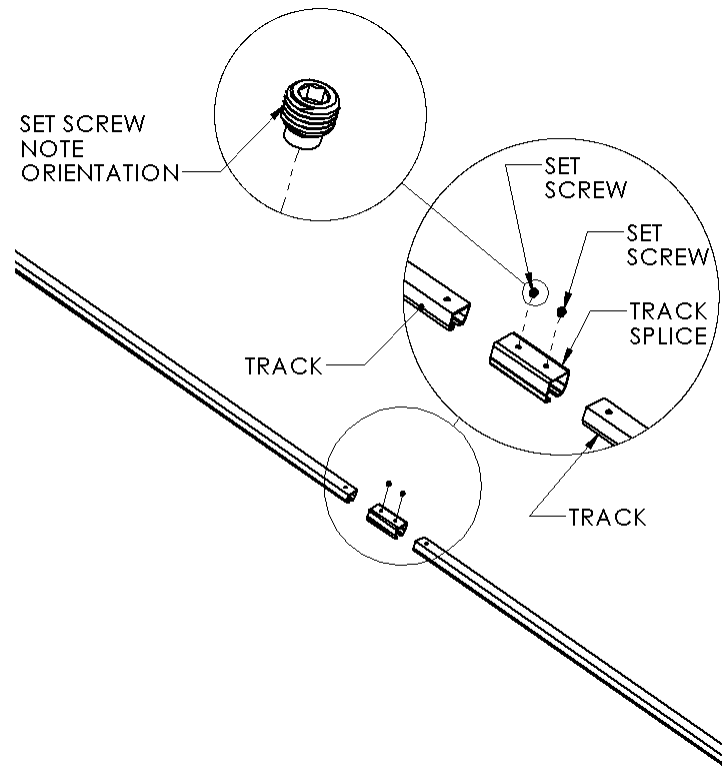


Figure 2 End Wall Construction Overview

## Patient Care Tent Installation Instructions

Start by inserting a Track into the Track Splice Bracket, then securing them together with a Set Screw. Attach the second Track to the Track Splice Bracket the same way. (Figure 3 Track Splice Bracket and Track Construction - Typical)

**Pro Tip:** Compress the Track ends slightly with a Vise Grip Pliers for easier assembly to Brackets.



*Figure 3 Track Splice Bracket and Track Construction - Typical*

Insert an End Stop Bracket at the very end of one of the Tracks. (Figure 4 Corner Track Bracket Assembly - Typical)

From the other end of the Track, insert Roller Assemblies into the Track (See note 3 on Page 1).

Insert an End Stop Bracket at the very end of the Track to trap the Roller Assemblies. (Figure 5 Corner Track Bracket Assembly - Typical)

## Patient Care Tent Installation Instructions

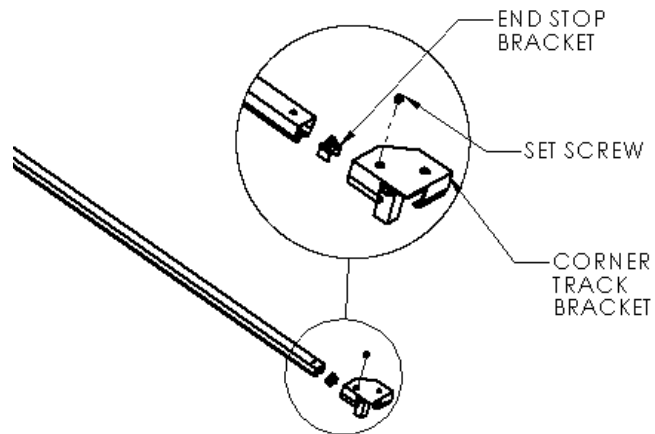


Figure 4 Corner Track Bracket Assembly - Typical

Slide a Corner Track Bracket over the end of the Track, then secure them together with a Set Screw. Attach another Corner Track Bracket to the other Track end with a Set Screw. (Figure 5 Corner Track Bracket Assembly - Typical)

**NOTE:** Be sure the open ends of the Corner Track Brackets face the same direction to accept adjacent Track pieces.

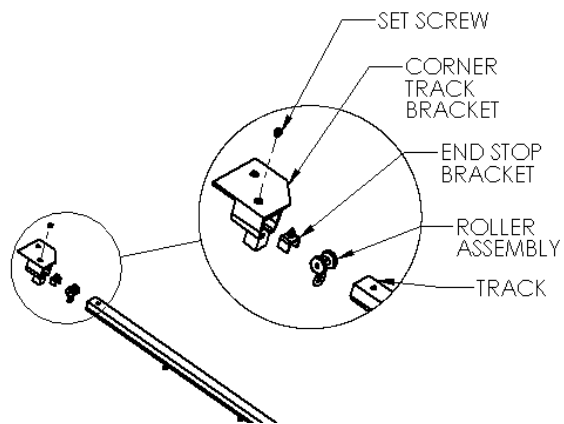


Figure 5 Corner Track Bracket Assembly - Typical

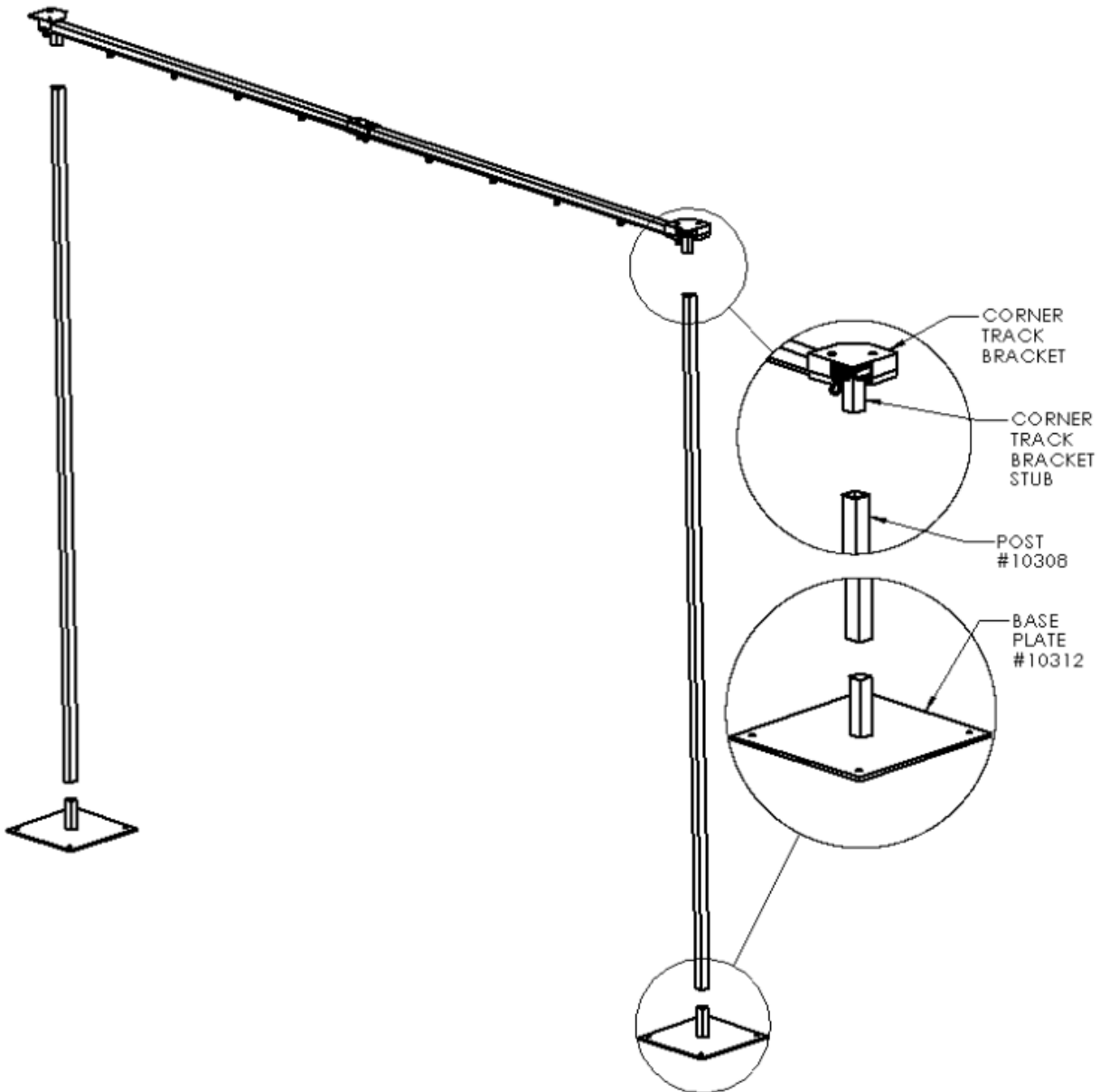
Repeat this entire process for the other End Wall Track Assembly.

## **End Wall Assembly**

Arrange two (2) Base Plates on the floor near their final location. (Figure 6 Post and Beam Assembly - Typical)

Slip a Post onto the stub of each Base plate.

Lift the Track Assembly and slip the Track Brackets' Stubs into the top of the Posts.



*Figure 6 Post and Beam Assembly - Typical*

Leave the other End Wall Track Assembly as it is for now.

## **Dividing Wall Track Assembly**

Each Dividing Wall requires: Two (2) Tracks (See note 2 on Page 1), two (2) 3-Way Track Brackets, one (1) Track Splice Bracket, four (4) Set Screws, and Roller Assemblies (See note 3 on Page 1). (Figure 7 Divider Wall Construction - Typical)

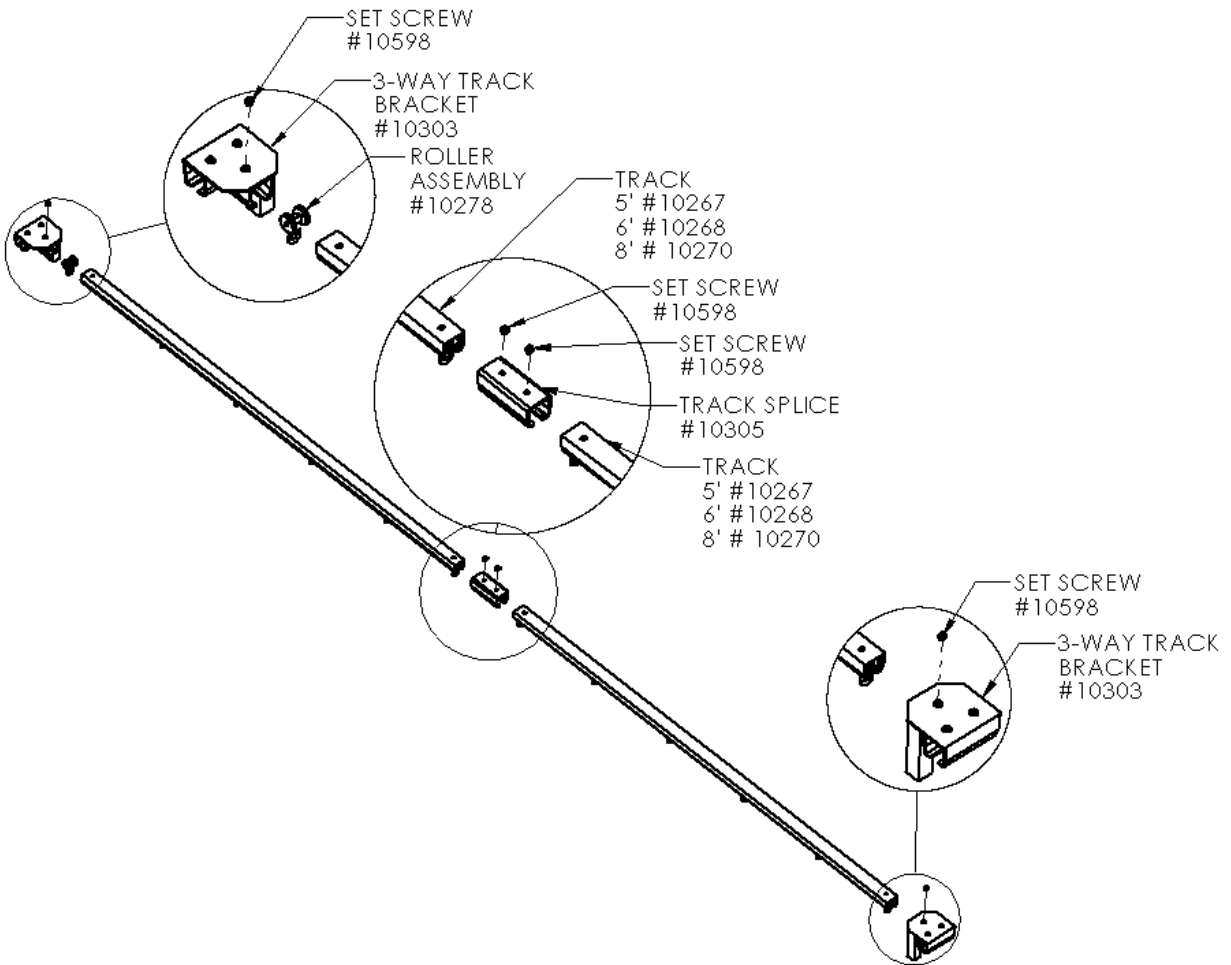
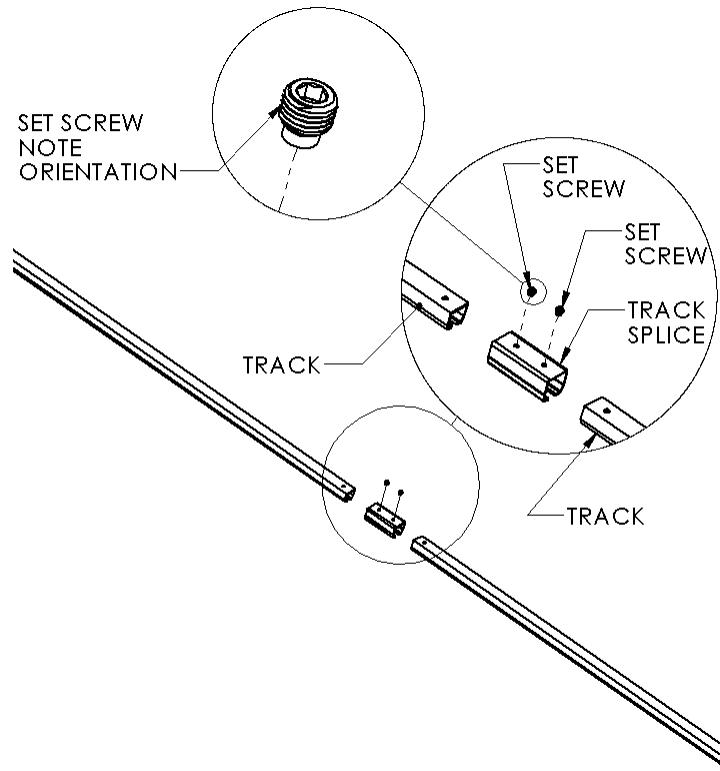


Figure 7 Divider Wall Construction - Typical

## Patient Care Tent Installation Instructions

Start by inserting a Track into the Track Splice Bracket, then securing them together with a Set Screw.  
(Figure 8 Track Splice Bracket and Track Construction - Typical)  
Attach the second Track to the Track Splice Bracket the same way.



*Figure 8 Track Splice Bracket and Track Construction - Typical*

Slide a 3-Way Track Bracket over the end of the Track, then secure them together with a Set Screw.  
Insert Roller Assemblies into the Track (See note 3 on Page 1). (Figure 9 3-Way Track Bracket Assembly at Front Wall - Typical)

Attach another 3-Way Track Bracket to the other Track end with a Set Screw. (Figure 10 3-Way Track Bracket Assembly at Rear Wall – Typical)

# Patient Care Tent Installation Instructions

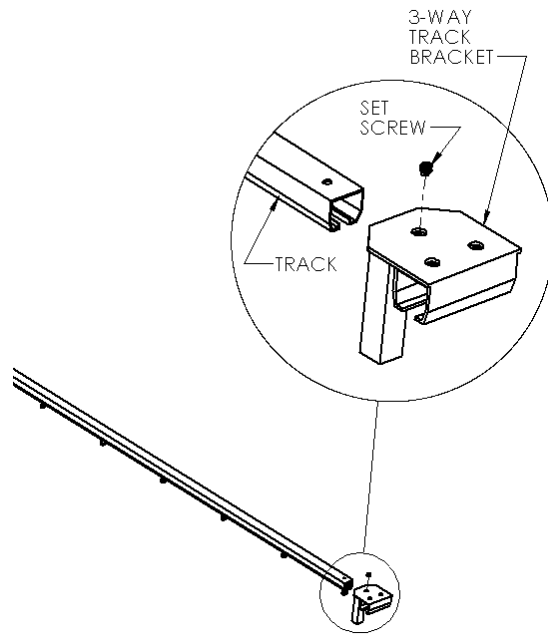


Figure 9 3-Way Track Bracket Assembly at Front Wall - Typical

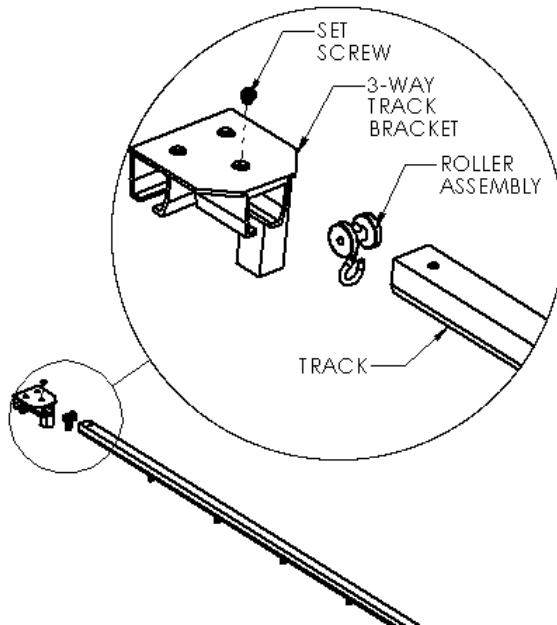


Figure 10 3-Way Track Bracket Assembly at Rear Wall - Typical

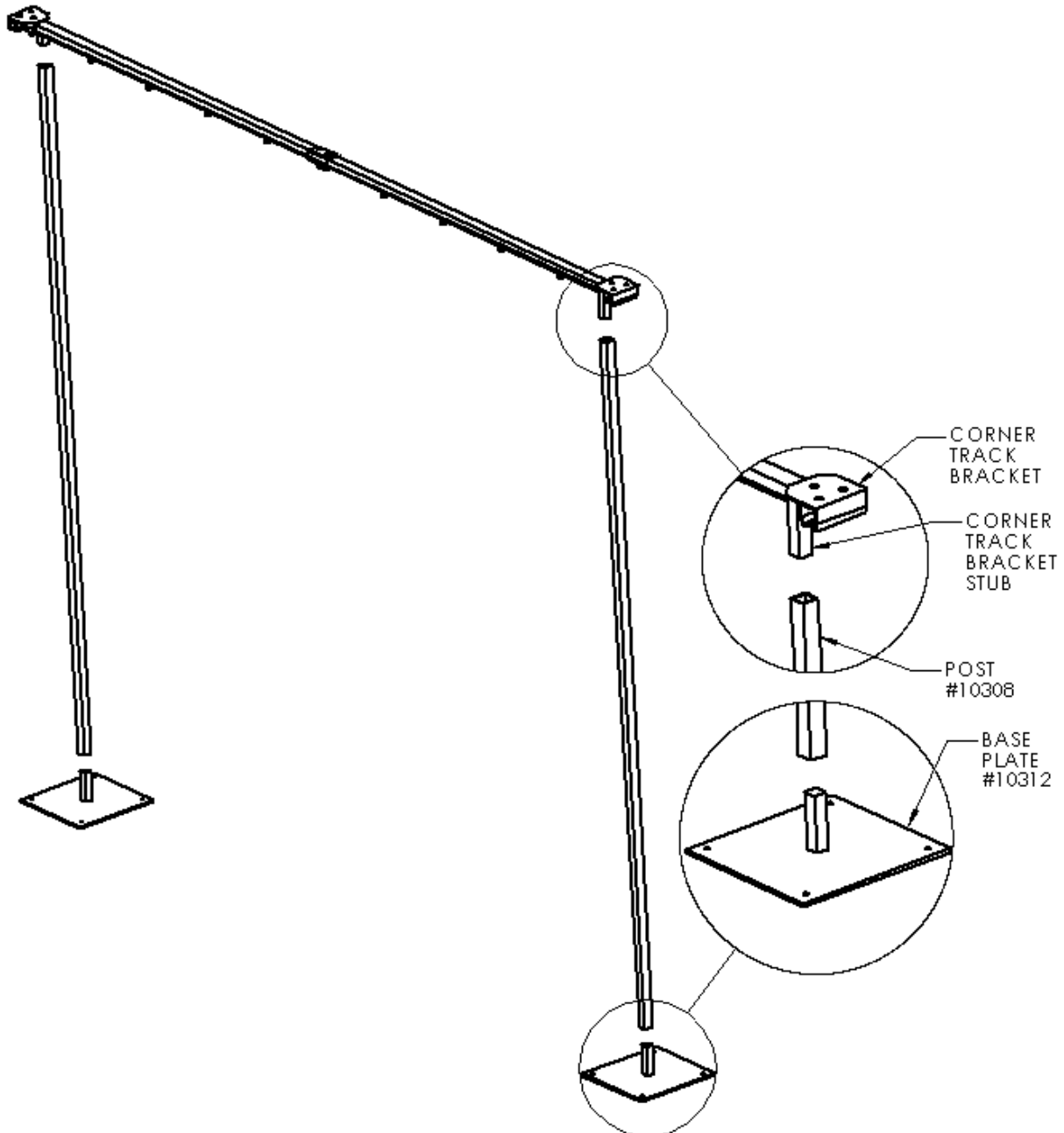


## **Dividing Wall Assembly**

Arrange two (2) Base Plates on the floor near their final location. (Figure 11 Dividing Wall Assembly - Typical)

Slip a Post onto the stub of each Base plate.

Lift the Track Assembly and slip the Track Brackets' Stubs into the top of the Posts.



*Figure 11 Dividing Wall Assembly - Typical*

## Patient Care Tent Installation Instructions

### **Front Wall Track Assembly**

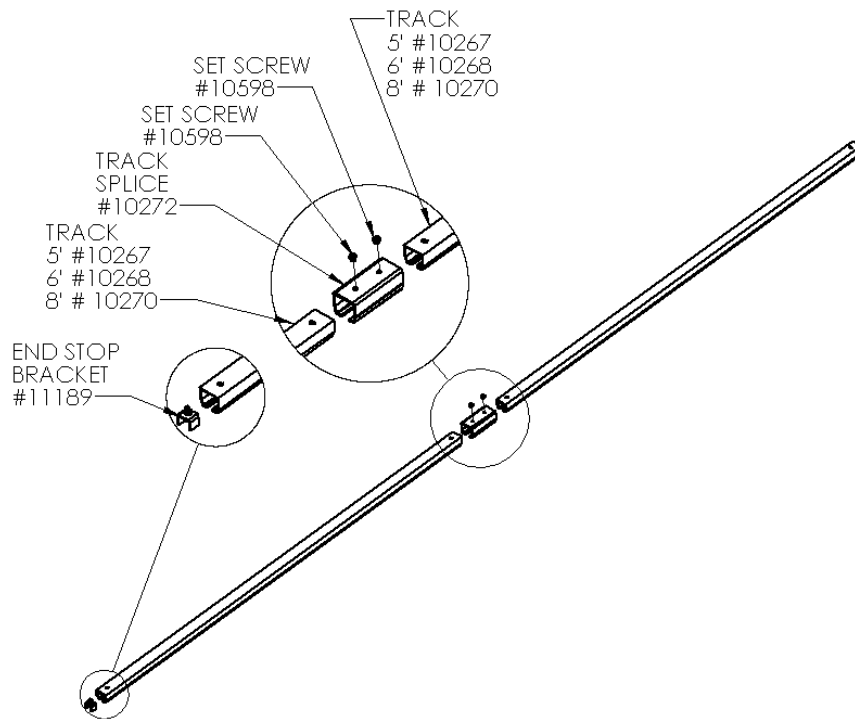
The Front Wall Tracks requires: Two (2) Track pieces (See note 2 on Page 1), one (1) Track Splice Bracket, Roller Assemblies (See note 3 on Page 1), one (1) End Stop Bracket, and two (2) Set Screws.

Three (3) Assemblies are required for a three Patient Tent.

Start by inserting a Track into the Track Splice Bracket, then securing them together with a Set Screw. (Figure 12 Front Track Assembly)

Attach the second Track to the Track Splice Bracket the same way.

Install an End Stop Bracket at the very end of one Track.



*Figure 12 Front Track Assembly*

### **Rear Wall Track Assembly**

## Patient Care Tent Installation Instructions

The Rear Wall Tracks requires: Two (2) Track pieces (See note 2 on Page 1), one (1) Track Splice Bracket, and two (2) Set Screws.

Three (3) Assemblies are required for a three Patient Tent.

Start by inserting a Track into the Track Splice Bracket, then securing them together with a Set Screw. (Figure 13 Rear Track Assembly)

Attach the second Track to the Track Splice Bracket the same way.

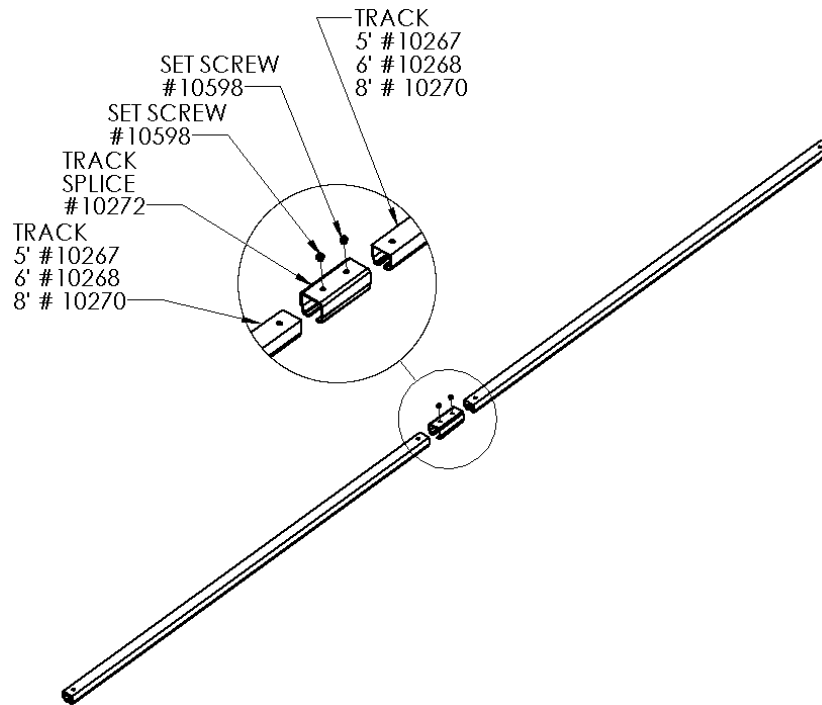


Figure 13 Rear Track Assembly

### **Dividing Wall to End Wall Assembly**

This Assembly requires: One (1) Front Track Assembly, one (1) Rear Track Assembly, and one (1) End Stop Bracket.

*Note:* The End Stop Brackets should be oriented toward the End Wall.

Insert a Stop Bracket at the very end of the Rear Track Assembly.

Insert a Front Track Assembly into a Corner Track Bracket of the End Wall, then secure them together with a Set Screw. (Figure 14 Front Wall Installation)

## Patient Care Tent Installation Instructions

Insert a Rear Track Assembly into the other Corner Track Bracket of the End Wall, then secure them together with a Set Screw. (Figure 15 Rear Wall Installation)

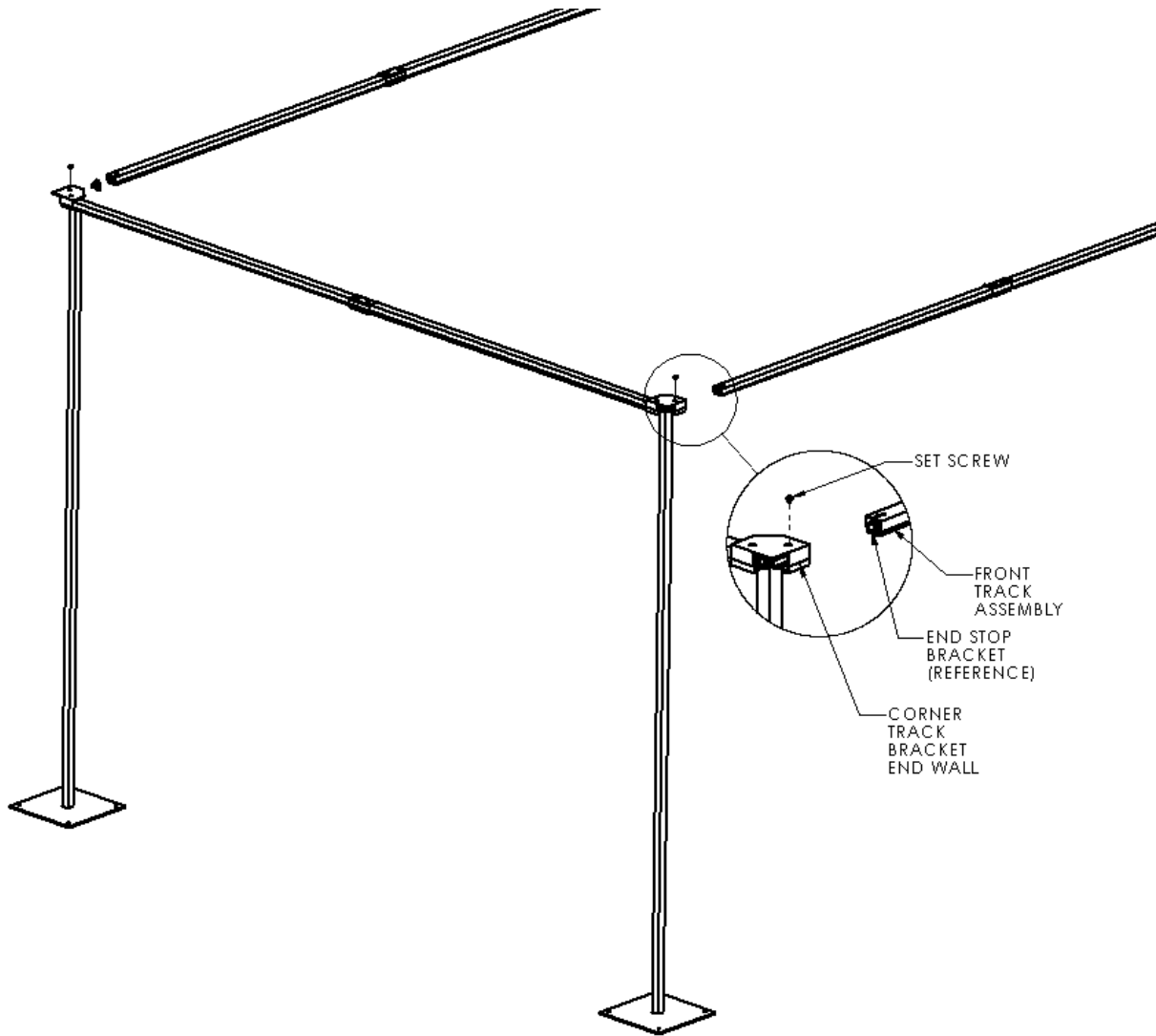
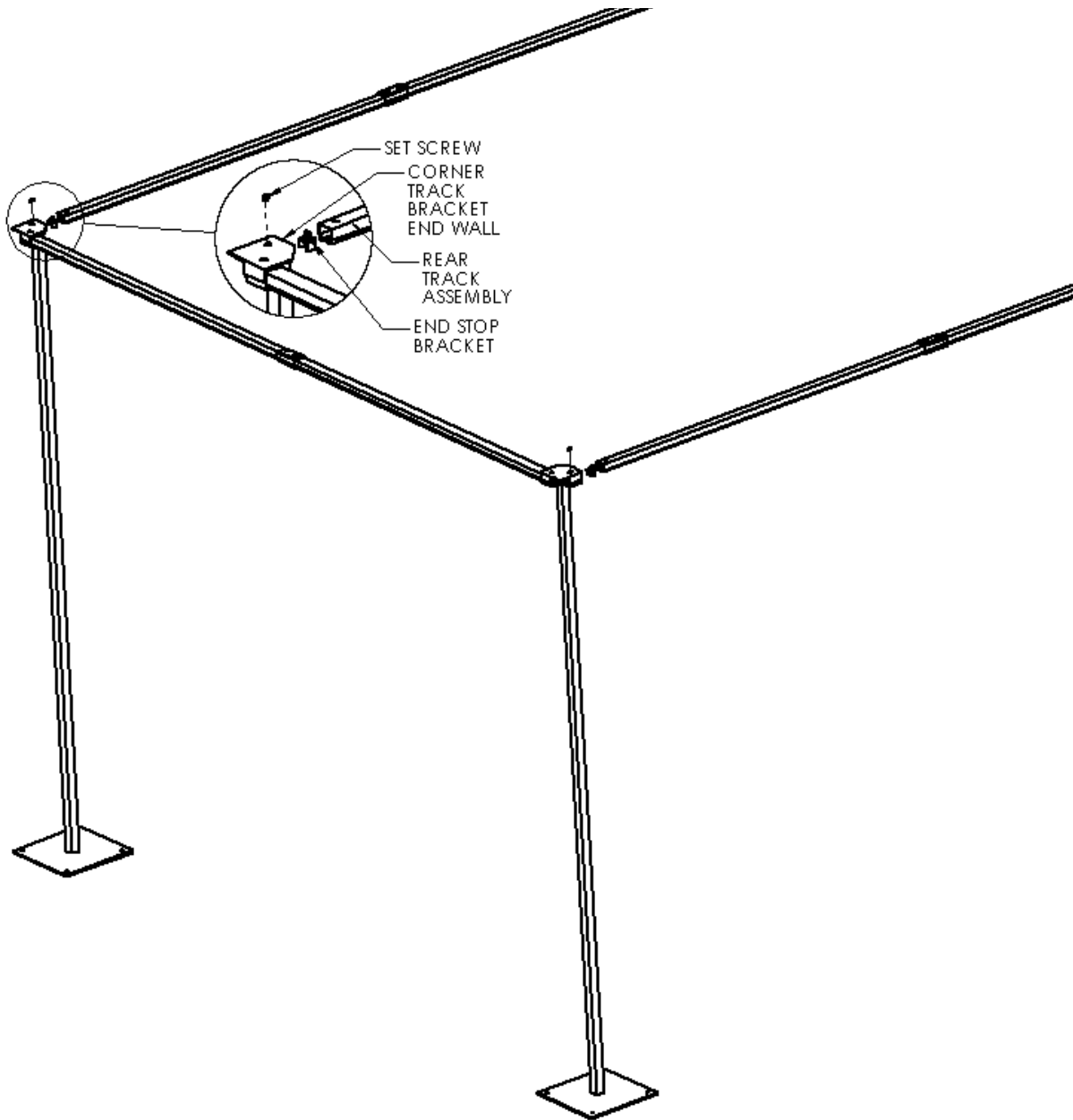


Figure 14 Front Wall Installation

## Patient Care Tent Installation Instructions



*Figure 15 Rear Wall Installation*

Move the Dividing Wall into position, then slide the free end of the Tracks into the 3-Way Track Brackets. (Figure 16 Dividing Wall Installation at Front Wall - Typical) (Figure 17 Dividing Wall Installation at Rear Wall - Typical)

Secure each Track to the 3-Way Track Bracket with a Set Screw.

Insert Roller Assemblies into the Front Track (See note 3 on Page one).

# Patient Care Tent Installation Instructions

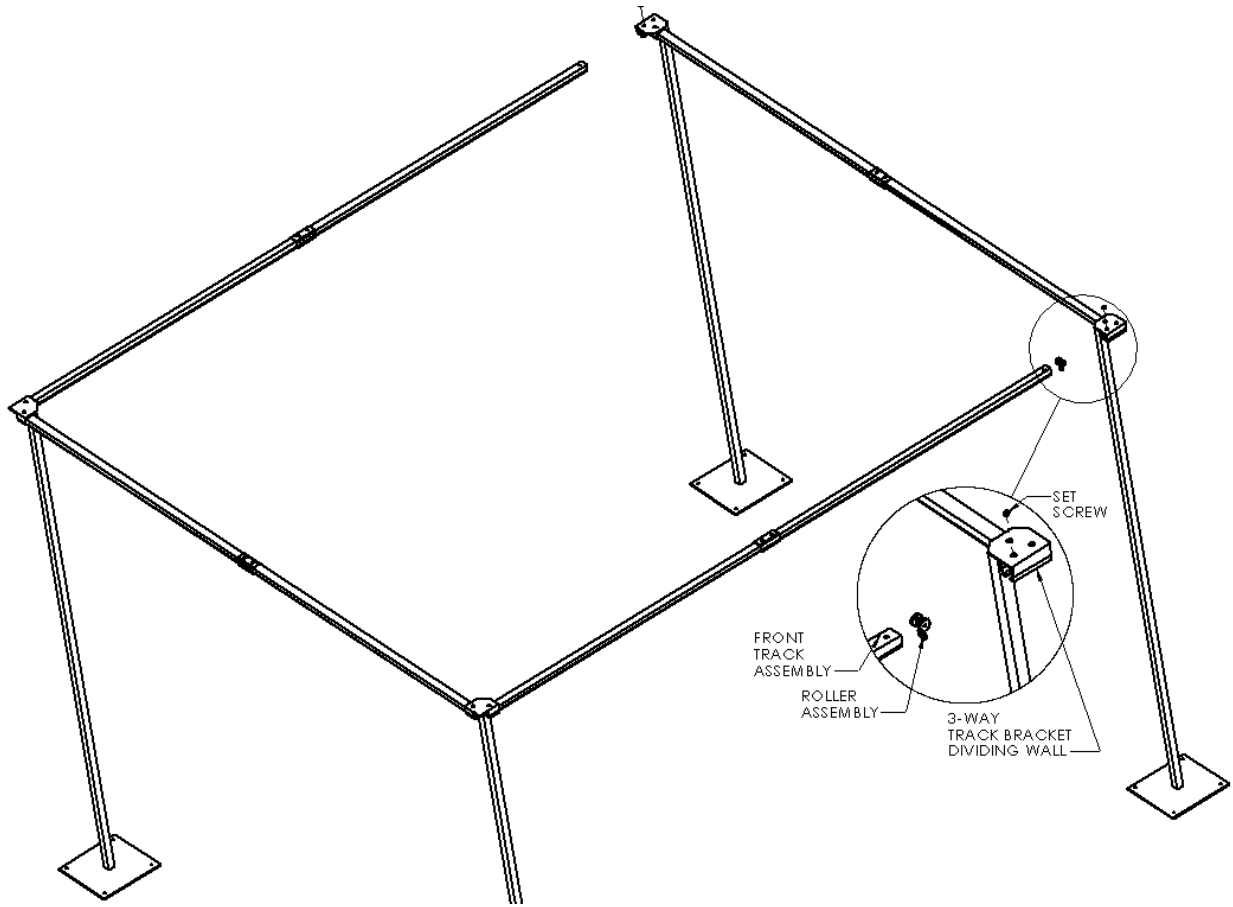


Figure 16 Dividing Wall Installation at Front Wall - Typical

# Patient Care Tent Installation Instructions

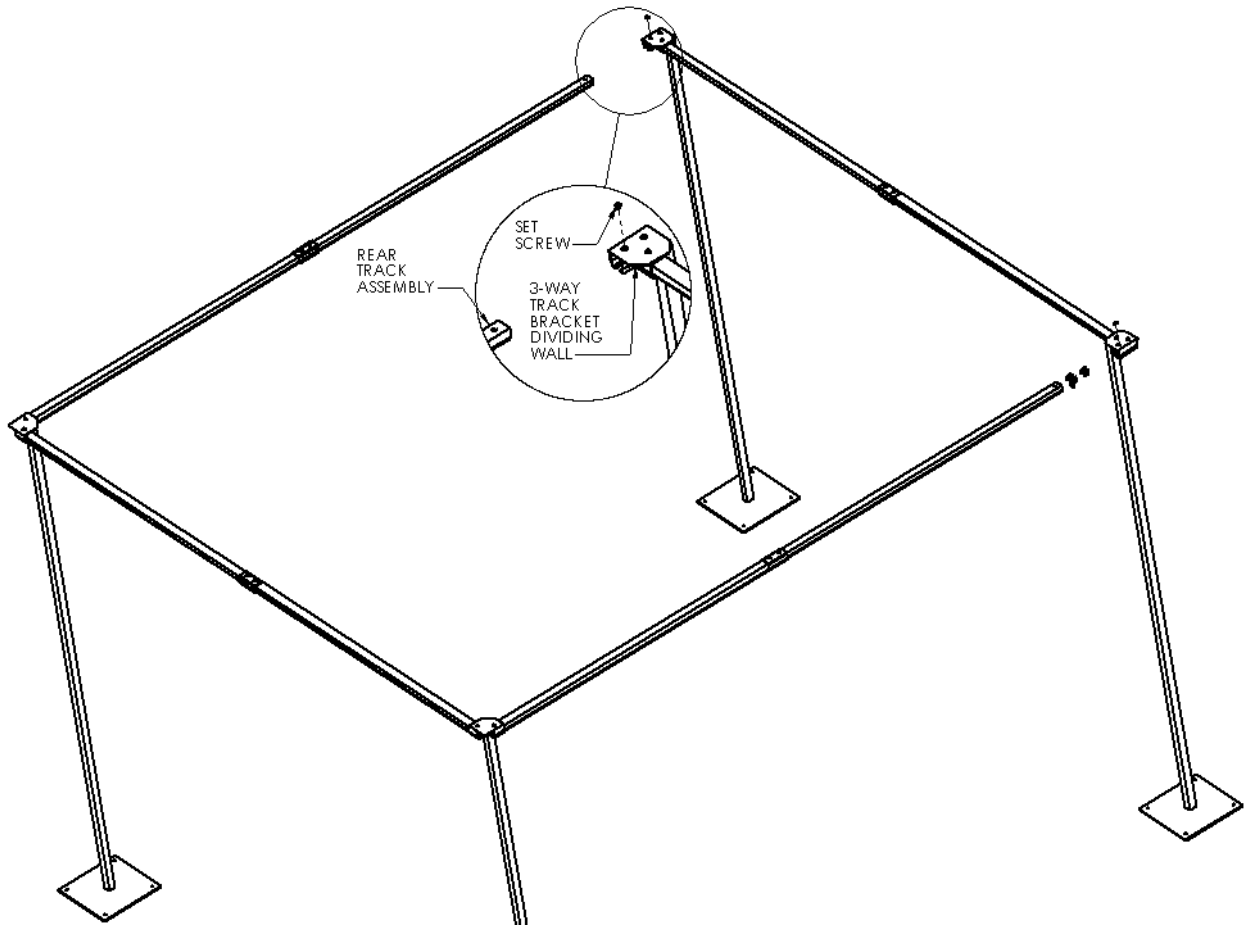


Figure 17 Dividing Wall Installation at Rear Wall - Typical

**Dividing Wall to Dividing Wall Assembly**

Connecting two (2) Dividing Walls requires: one (1) Front Track Assembly, one (1) Rear Track Assembly, two (2) Set Screws, and Roller Assemblies for the Front Wall (See note 3 on Page one).

*Note:* The Front Track's End Stop Bracket should be oriented toward the assembled Dividing Wall.

Insert a Front Track Assembly into a 3-Way Bracket and secure them together with a Set Screw. (Figure 18 Front Wall Installation Cont.)

Insert a Rear Track Assembly into a 3-Way Bracket and secure them together with a Set Screw. (Figure 19 Rear Wall Installation Cont.)

Move the Divider Wall into position and slide the free end of the Front and Rear Track Assemblies into the 3-Way Track Brackets of the Dividing Wall.

Secure each Track to the 3-Way Track Bracket with a Set Screw.

Insert Roller Assemblies into the Front Track.

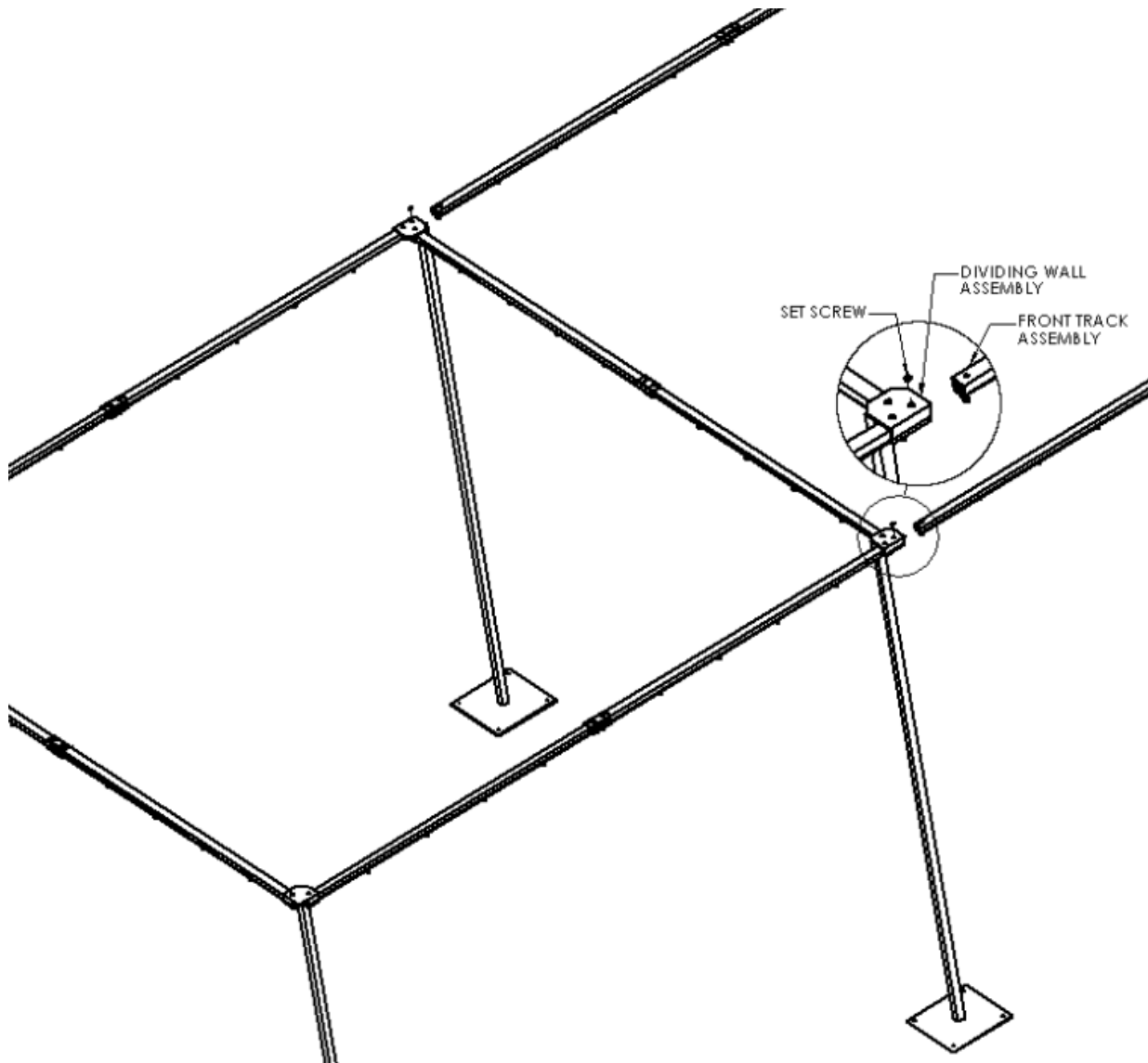


Figure 18 Front Wall Installation Cont.



Patient Care Tent Installation Instructions

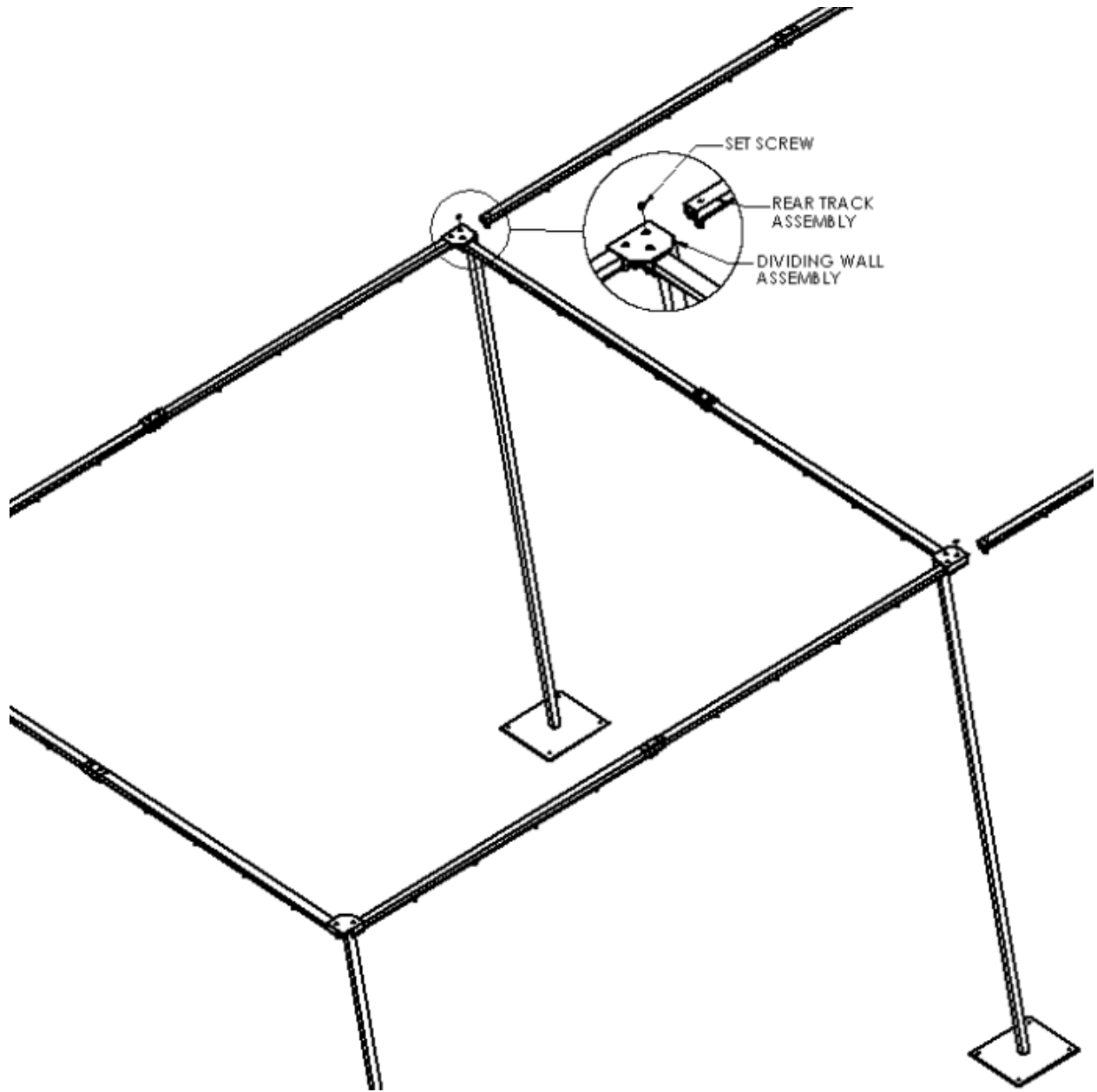


Figure 19 Rear Wall Installation Cont.

**End Wall to Dividing Wall Assembly**

Connecting the Dividing Wall to End Wall requires: one (1) Front Track Assembly, one (1) Rear Track Assembly, two (2) End Stop Brackets, two (2) Set Screws .

Insert a Front Track Assembly into a 3-Way Bracket and secure them together with a Set Screw. (Figure 20 End Wall Installation at Front)

Insert a Rear Track Assembly into a 3-Way Bracket and secure them together with a Set Screw. (Figure 21 End Wall Installation at Rear)

Install Roller Assemblies into the Front Track (See note3 on Page 1), and install an End Stop Bracket at the very outside end of the Front Track.

Insert (all of) the Rear Wall Roller Assemblies into the Rear Track Assembly (See note3 on Page 1), and install an End Stop Bracket to trap the Roller Assemblies.

Move the End Wall into position and slide the free end of the Track Assemblies into the End Wall Corner Track Brackets.

Secure each Track to the Corner Track Bracket with a Set Screw.

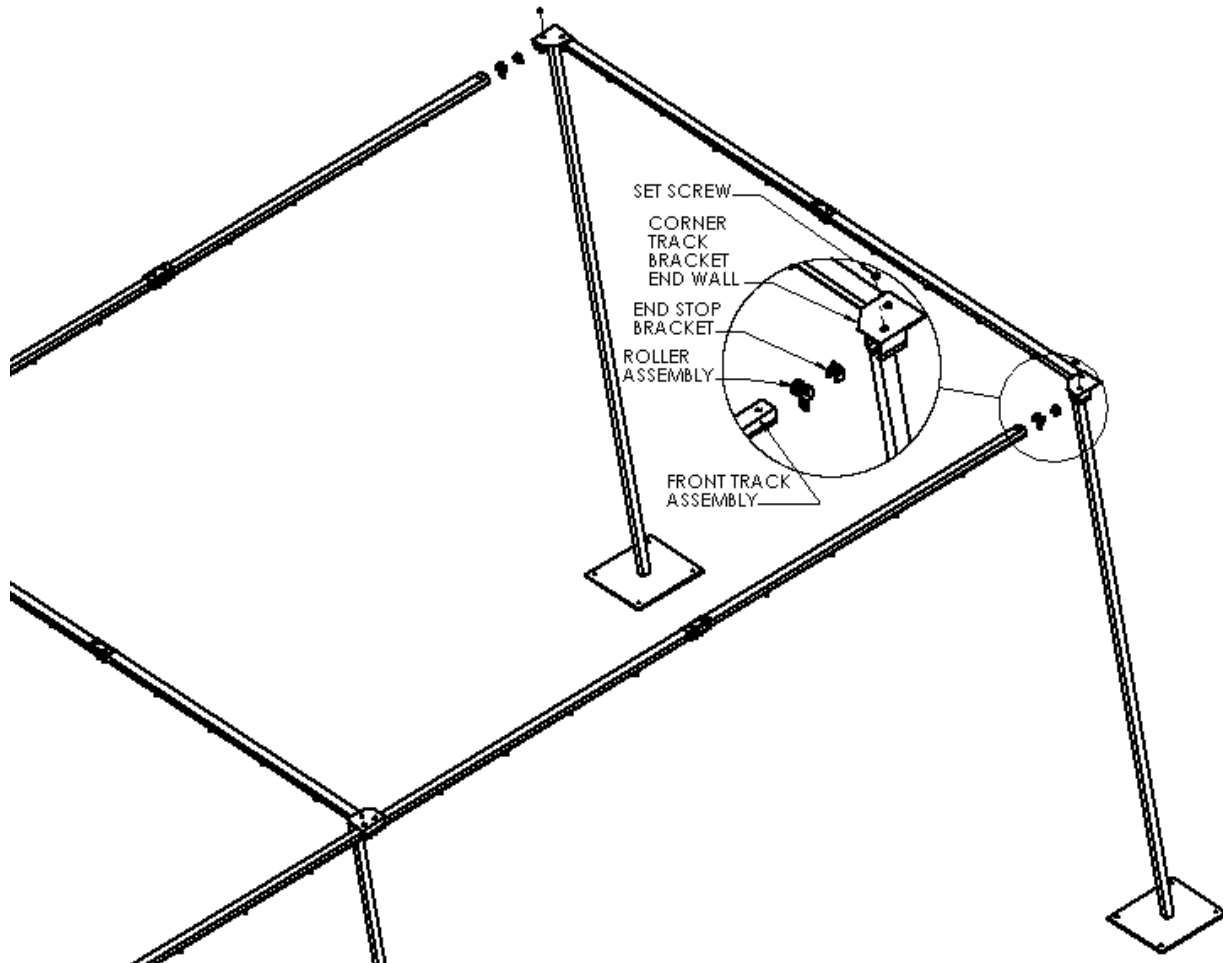


Figure 20 End Wall Installation at Front

Patient Care Tent Installation Instructions

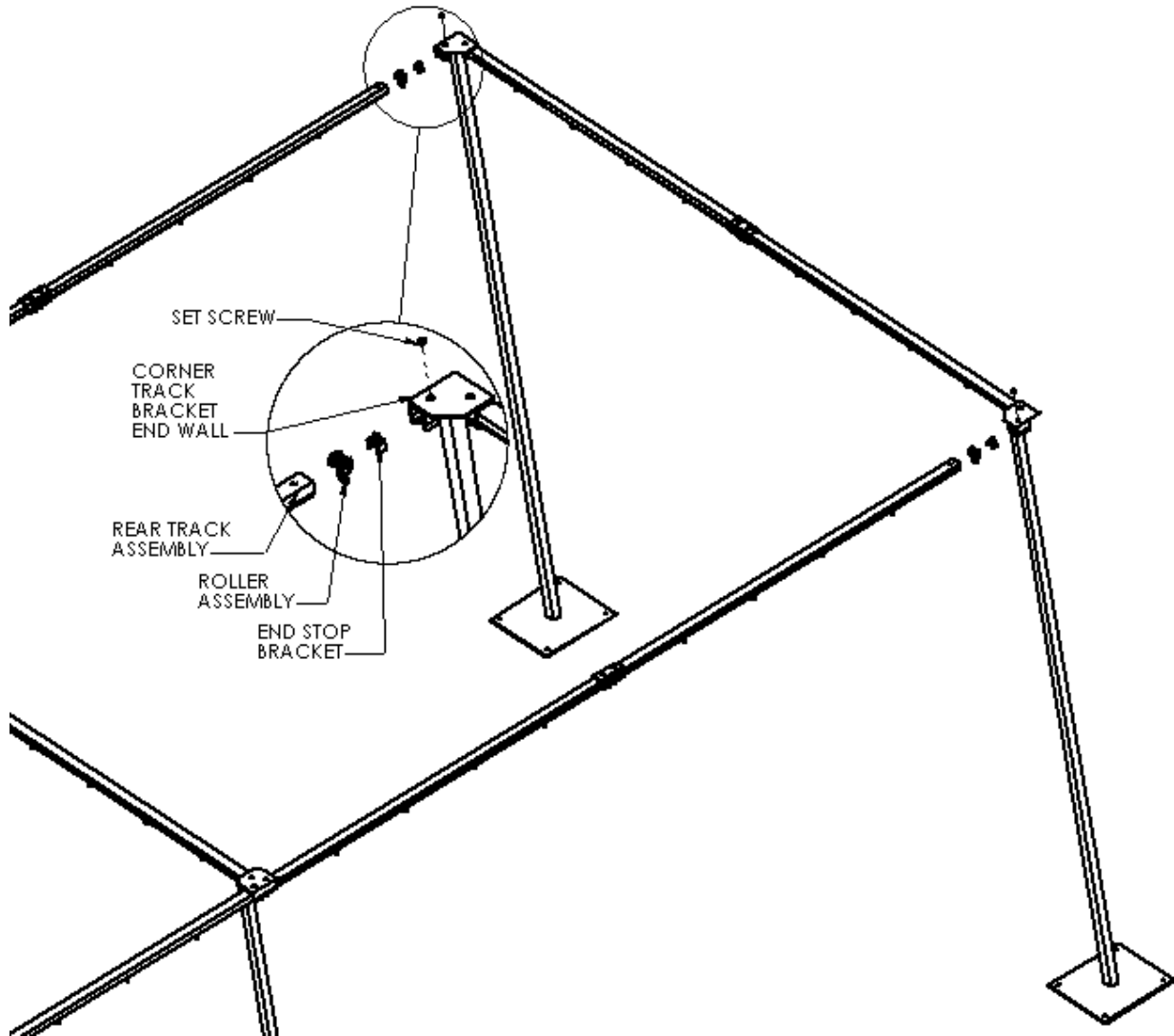


Figure 21 End Wall Installation at Rear

## Patient Care Tent Installation Instructions

### **Curtain Preparation**

When the Curtains are at room temperature: Unfold the Curtains and measure the width of each one.

The End Walls require one (1) Curtain each.

The Dividing Walls require one (1) Curtain each.

The Rear Wall requires one (1) Curtain.

Optional Front Wall Curtains are White/Clear/Red and will require: Three (3) Curtains.

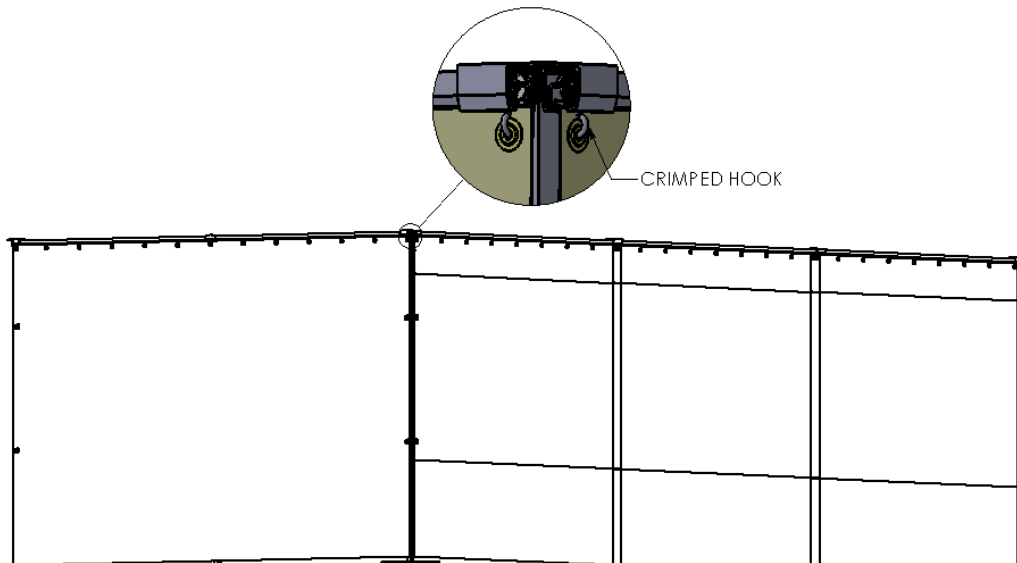
Optional Top is one unit.

### **Curtain Installation**

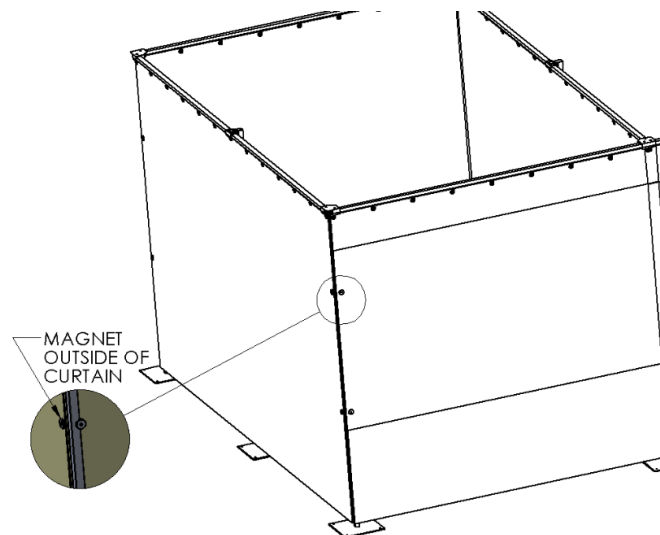
Loop the end Grommet to the first Roller Assembly and crimp the hook closed. (Figure 22 Crimp Hooks around Grommets)

Work on down the line looping and crimping the hooks.

Optional -Attach Magnets to sandwich the curtains to the posts. (Figure 23 Secure Curtain with Magnets)



*Figure 22 Crimp Hooks around Grommets*



*Figure 23 Secure Curtain with Magnets*

# Patient Care Tent Installation Instructions

## Index - Part Description & View

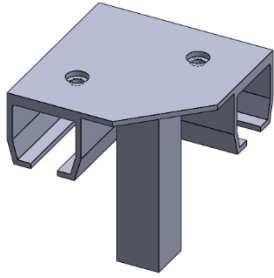


Figure 24 Corner Track Bracket

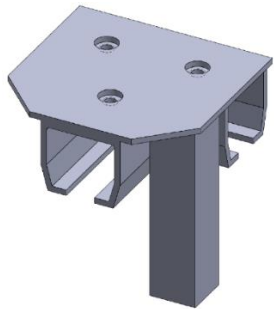


Figure 25 3-Way Track Bracket

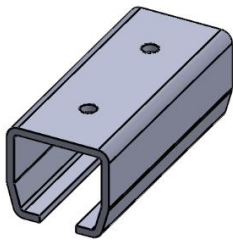


Figure 26 Track Splice Bracket

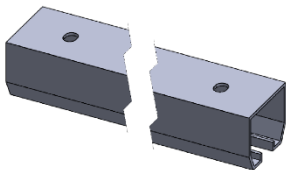


Figure 27 Track



Figure 28 Roller assembly

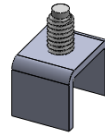


Figure 29 End Stop Bracket



Figure 30 Set Screw



Figure 31 Allen Wrench

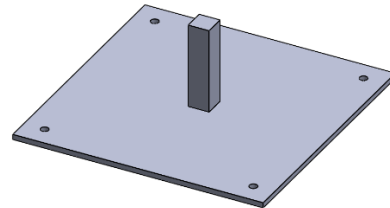


Figure 32 Base Plate

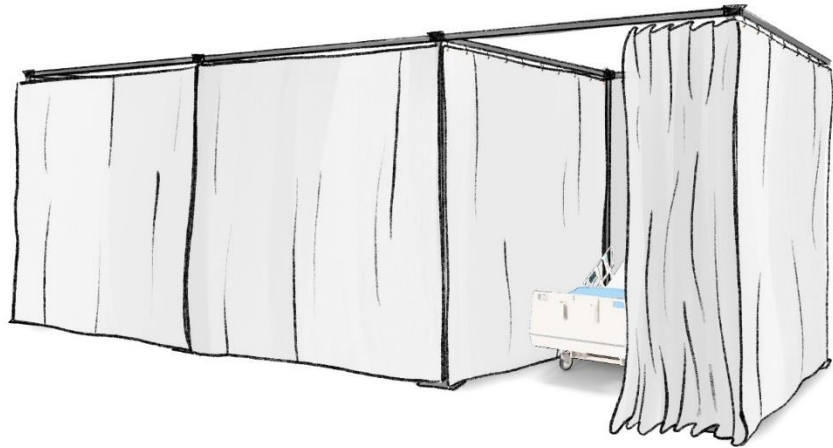


Figure 33 Post

## Patient Care Tent Installation Instructions



*Figure 34 3 Patient Care Tent without Front Curtains*



*Figure 35 3 Patient Care Tent with Front Curtains*



*Figure 36 3 Patient Care Tent with Front Curtains and Canopy*