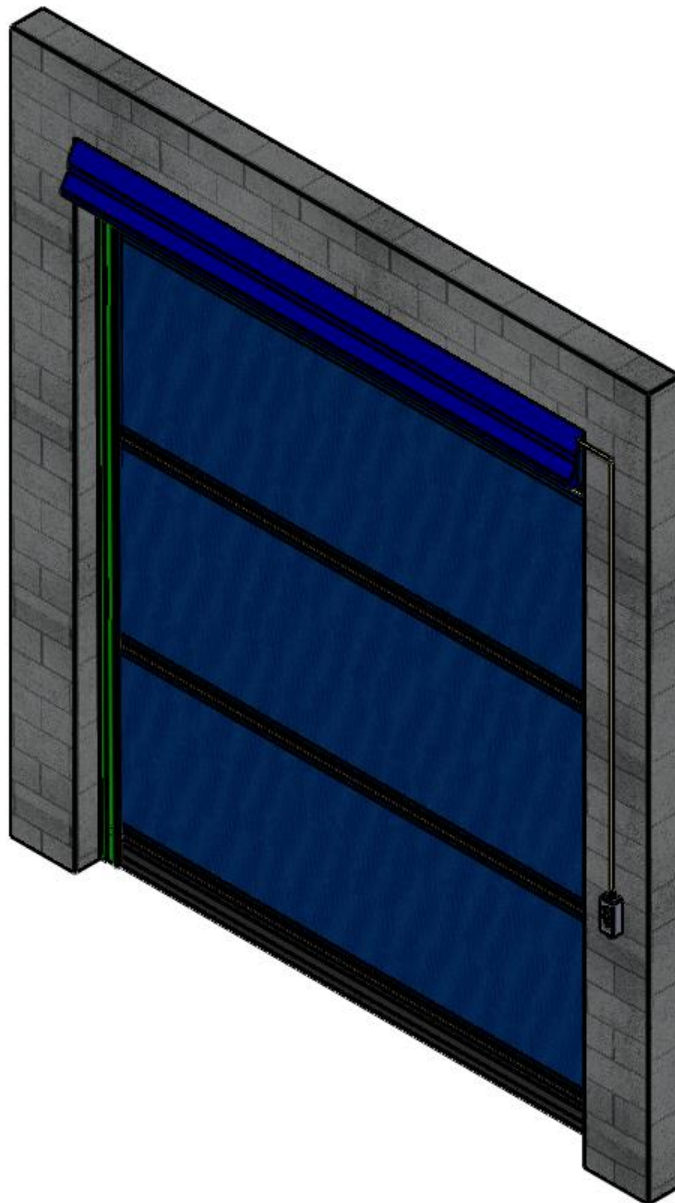


## G1 SERIES – UNDER HEADER MOUNTED COMMERCIAL VINYL DOOR INSTALLATION INSTRUCTIONS

READ THIS MANUAL CAREFULLY. OBSERVE WARNINGS AND PRACTICE CAUTION WHEN INSTALLING, OPERATING, OR MAINTAINING YOUR GOFF'S DOOR ASSEMBLY.



**PREPARE MOUNTING SURFACE AND SECURE MAIN HEADER BRACKETS**

Note: Check the door opening Header for level, and adjust the installation accordingly.

1. At the upper left of the door opening, use the L.H. Header Mounting Bracket to transfer hole locations to the mounting surface.(Figure 1 LOCATE L.H.HEADER MOUNTING BRACKET) & (Figure 2 MARK/DRILL L.H. HEADER MOUNTING BRACKET)
2. Insert your Wall Mounting Hardware through Idler Bearing assembly (3 pieces), and through the L.H. Header Mounting Bracket, into the Mounting Surface. (Figure 3 INSTALL HEADER BRACKET AND IDLER ASSEMBLY)
3. At the upper right of the opening, use the R.H. Header Mounting Bracket to transfer the hole locations to the mounting surface, and install this bracket. (Figure 4 MARK, DRILL, INSTALL R.H. HEADER MOUNTING BRACKET)

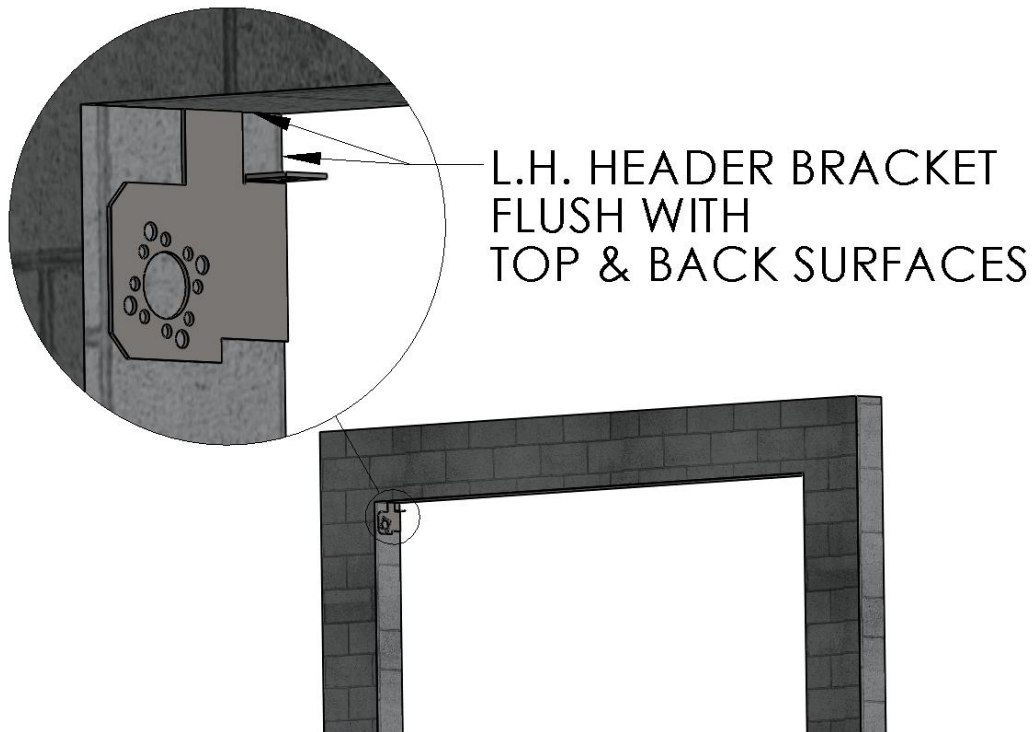


Figure 1 LOCATE L.H.HEADER MOUNTING BRACKET

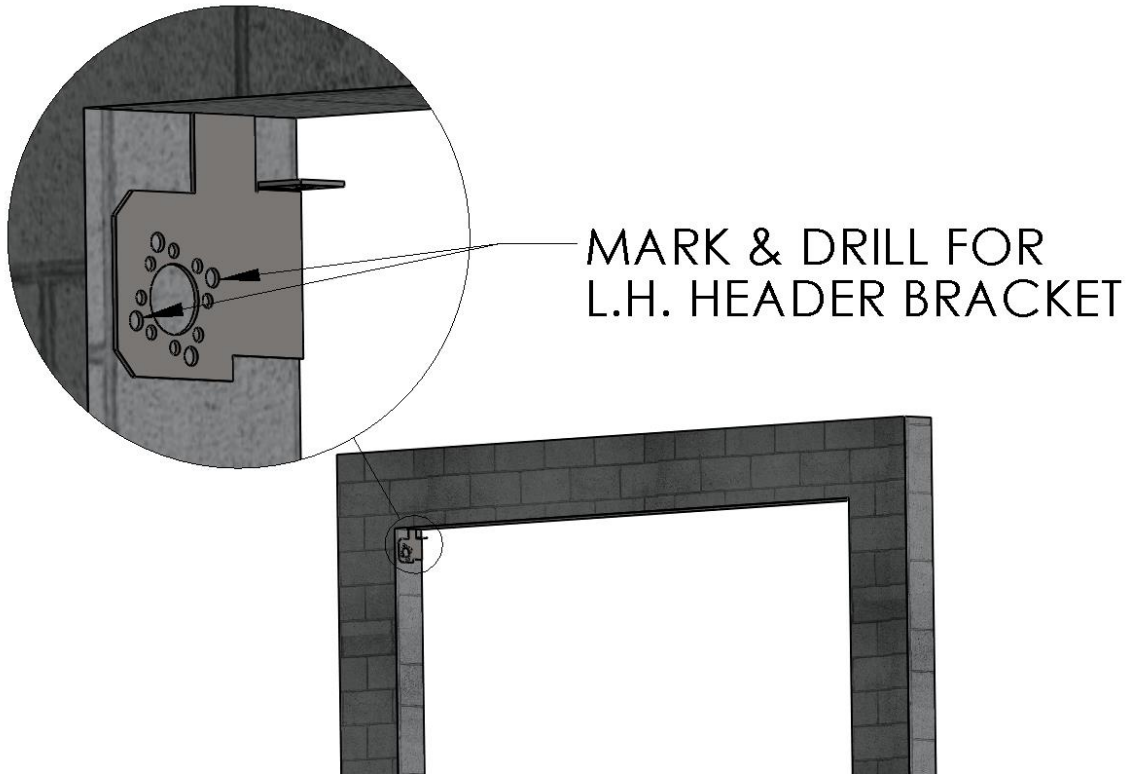


Figure 2 MARK/DRILL L.H. HEADER MOUNTING BRACKET

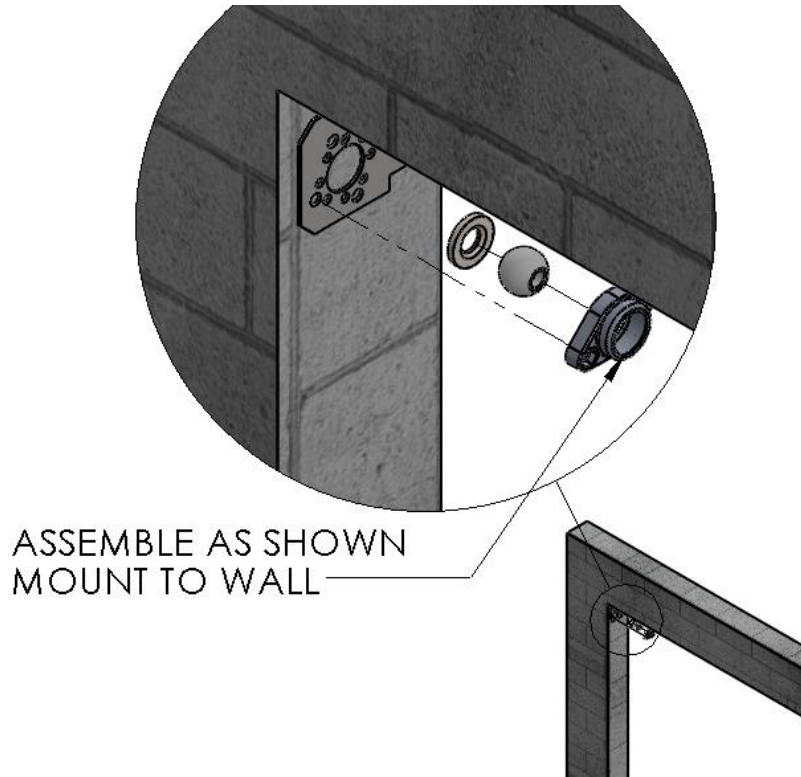


Figure 3 INSTALL HEADER BRACKET AND IDLER ASSEMBLY

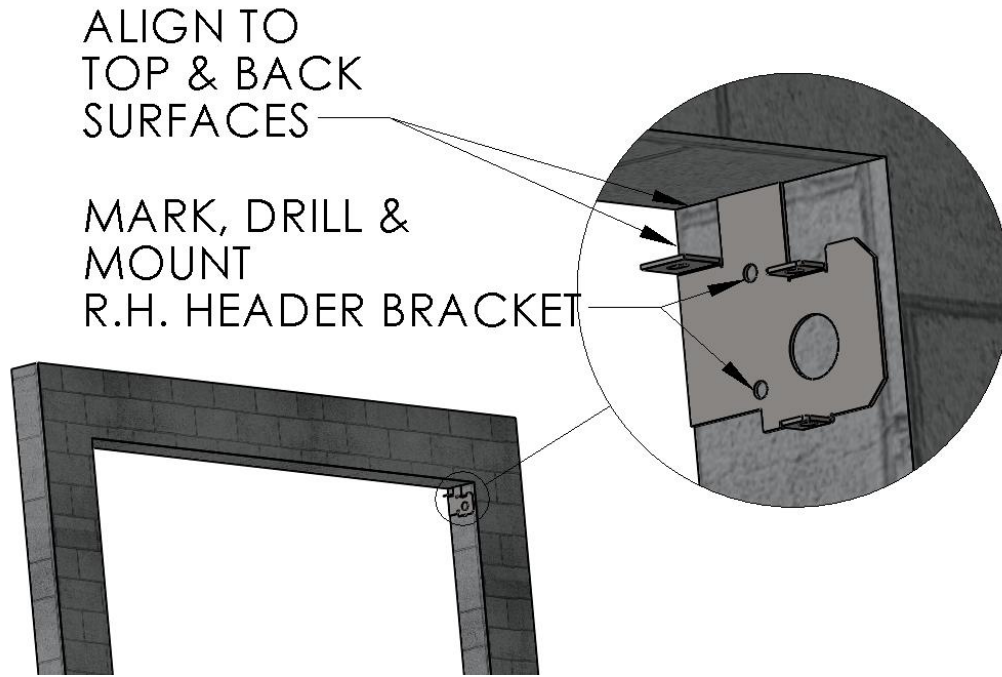


Figure 4 MARK, DRILL, INSTALL R.H. HEADER MOUNTING BRACKET

## **MOUNT THE VERTICAL TRACKS**

1. To locate the Track Assemblies, align the mating surfaces of the Track Transition Bracket and the Header Mounting Bracket. (Figure 5 LOCATE, MARK, INSTALL TRACK ASSEMBLIES)
2. Plumb Track Assembly, to make sure it is vertically aligned. Usually with two people (one holding the Track Assembly in place), use a marker to trace the mounting holes on the wall to mark their pilot hole locations.
3. Move the track assembly off to the side and predrill its mounting holes. Move it back into place and secure it to the wall with appropriate hardware. Before fully tightening hardware, be sure to each track is plumb/vertical.
4. Repeat for the other Track Assembly.

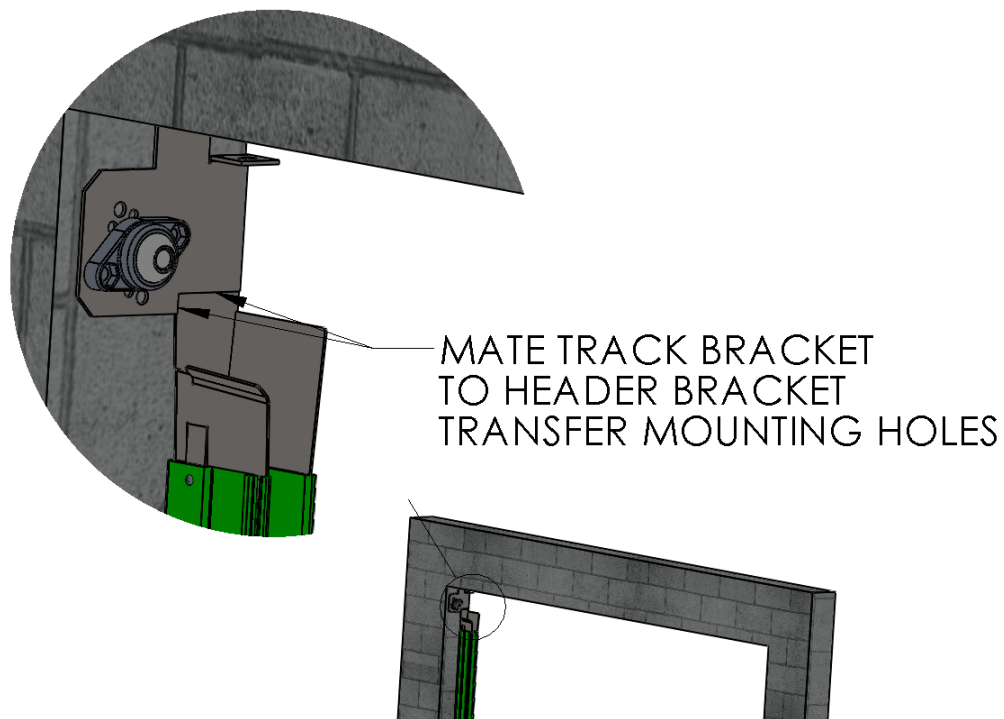


Figure 5 LOCATE, MARK, INSTALL TRACK ASSEMBLIES

## **MOUNT THE HEADER ASSEMBLY**

1. Using two (2) people, and two ladders at minimum, raise the Header Assembly, and insert the Idler Shaft into the installed Idler Bearing Assembly at upper left. (Figure 6 INSTALL L.H. SIDE OF HEADER ASSEMBLY)
2. At the right side, push the Header Assembly toward the Idler side to compress (spring loaded) Idler Shaft, and insert the Upper Motor Peg fully into upper hole of R.H. Header Mounting Bracket. (Figure 7 INSTALL R.H. SIDE OF HEADER ASSEMBLY)
3. Slip the plastic Ring onto Lower Motor Peg, and insert the Lower Motor Peg into lower hole on the Header Mounting Bracket. (Figure 7 INSTALL R.H. SIDE OF HEADER ASSEMBLY)
4. Insert the plastic Clip onto Upper Motor Peg to fill space between the Bracket and Motor. (Figure 7 INSTALL R.H. SIDE OF HEADER ASSEMBLY)
5. At this point leave the roll assembly tied off and held in place as it comes.

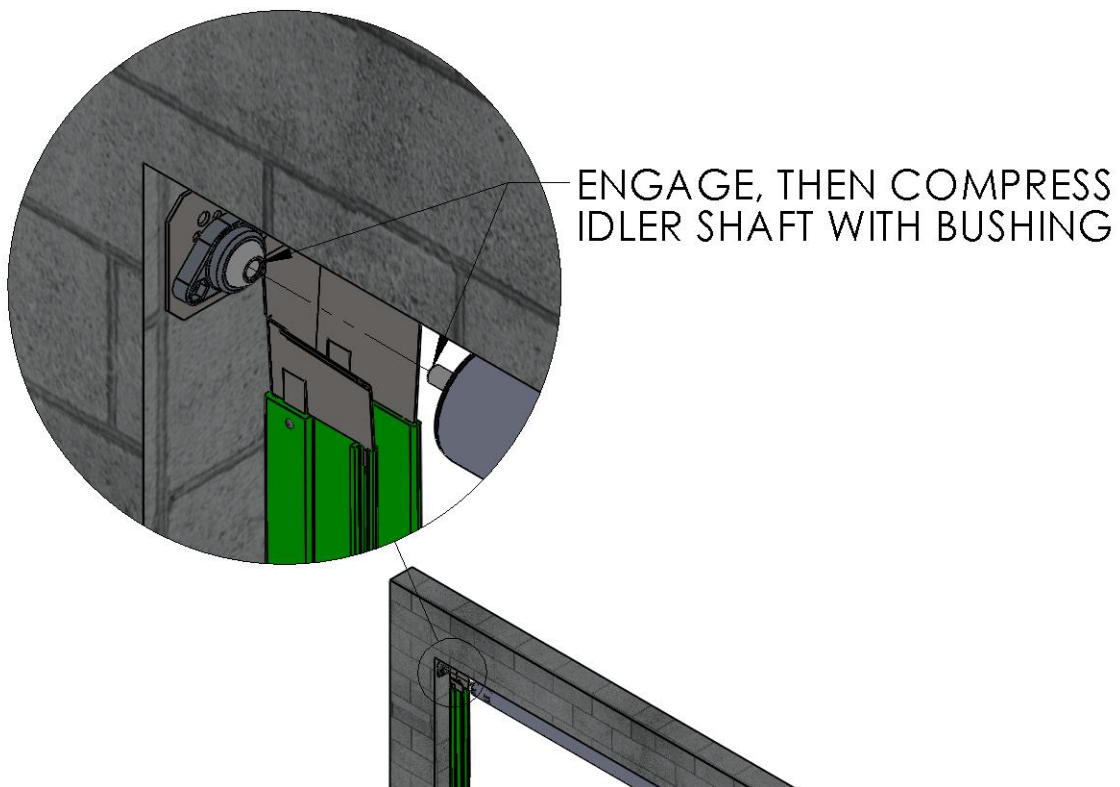


Figure 6 INSTALL L.H. SIDE OF HEADER ASSEMBLY

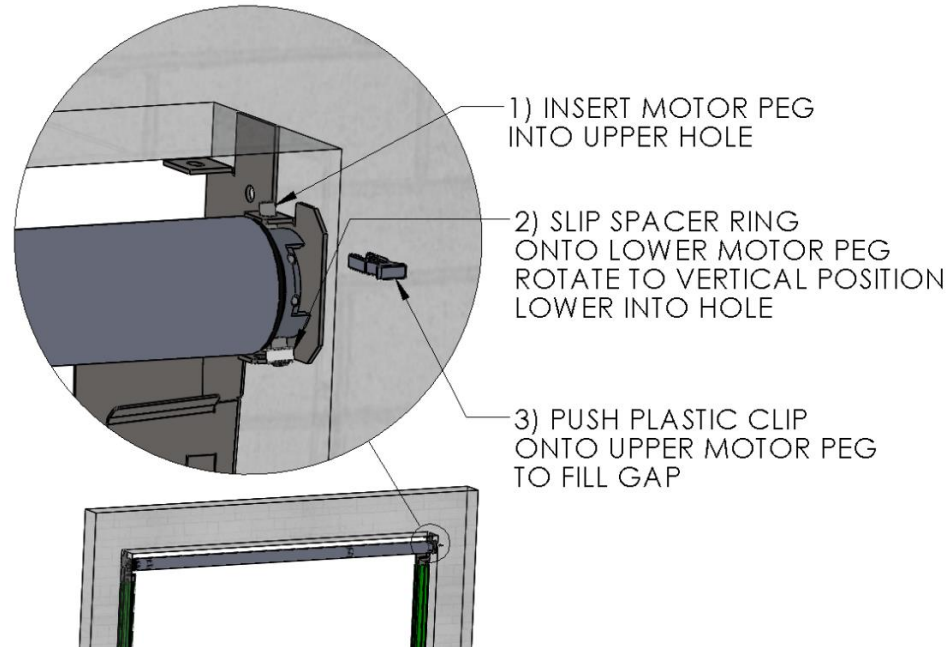


Figure 7 INSTALL R.H. SIDE OF HEADER ASSEMBLY

### **MOUNT THE VALANCE ASSEMBLY**

1. Install the Valance Assembly onto the top of the bent flanges of the installed Header Mounting Brackets using the hardware provided in the Valance Beam. (Figure 8 INSTALL VALANCE ASSEMBLY)

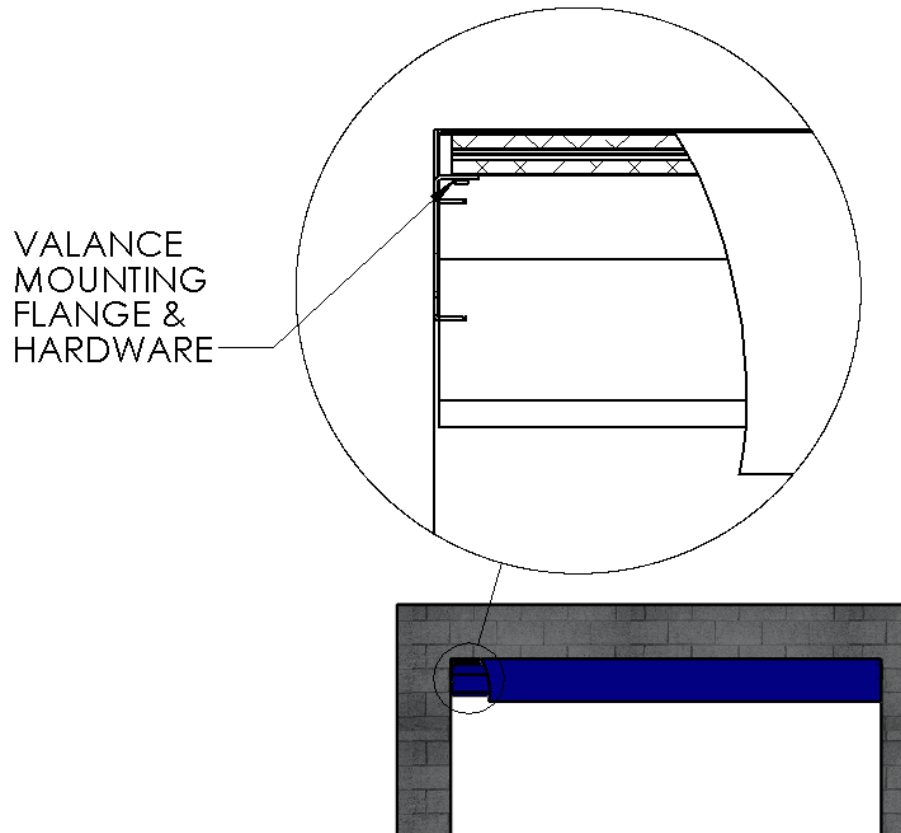


Figure 8 INSTALL VALANCE ASSEMBLY

**CHECK ALL MOUNTINGS AND CONNECT OPERATOR**



1. With everything mounted, take a moment to check all of your hardware, and all of the components for horizontal and vertical alignments.
2. Release the ties on the roll assembly.
3. Have a qualified Electrician mount the Switch Control Box, route, and connect all wiring before applying power to the Door Assembly.

NOTE - See supplemental Instruction for:  
“Electrical Connections and Motor Adjustments”.

## **WARNING**

**ALL INSTALLATION INSTRUCTIONS MUST BE FOLLOWED, AND CRITICAL ALIGNMENT REQUIREMENTS MUST BE MET.**

\*\*\*

**- ENSURE THAT THE ROLL HEADER ASSEMBLY IS LEVEL, AND THAT THE TRACKS AND BRACKETS ARE ALL PLUMB, AND SQUARE-**

\*\*\*

**OTHERWISE, THE PERFORMANCE AND CONSISTENT OPERATION OF YOUR DOOR WILL BE COMPROMISED.**

## LIMITED WARRANTY

### G1 Bug Screen/Vinyl Doors



Goff's Enterprises, Inc. warrants all G1 bug screen/vinyl doors from failure in normal use due to defects in material or workmanship for a period of **TWO years** from date of purchase with warranty related labor for the first year as approved by Goff's Technical Support Team.

Goff's Enterprises, Inc. may elect to repair or replace defective or damaged goods.

**Technical Support Team: 262-746-3374**