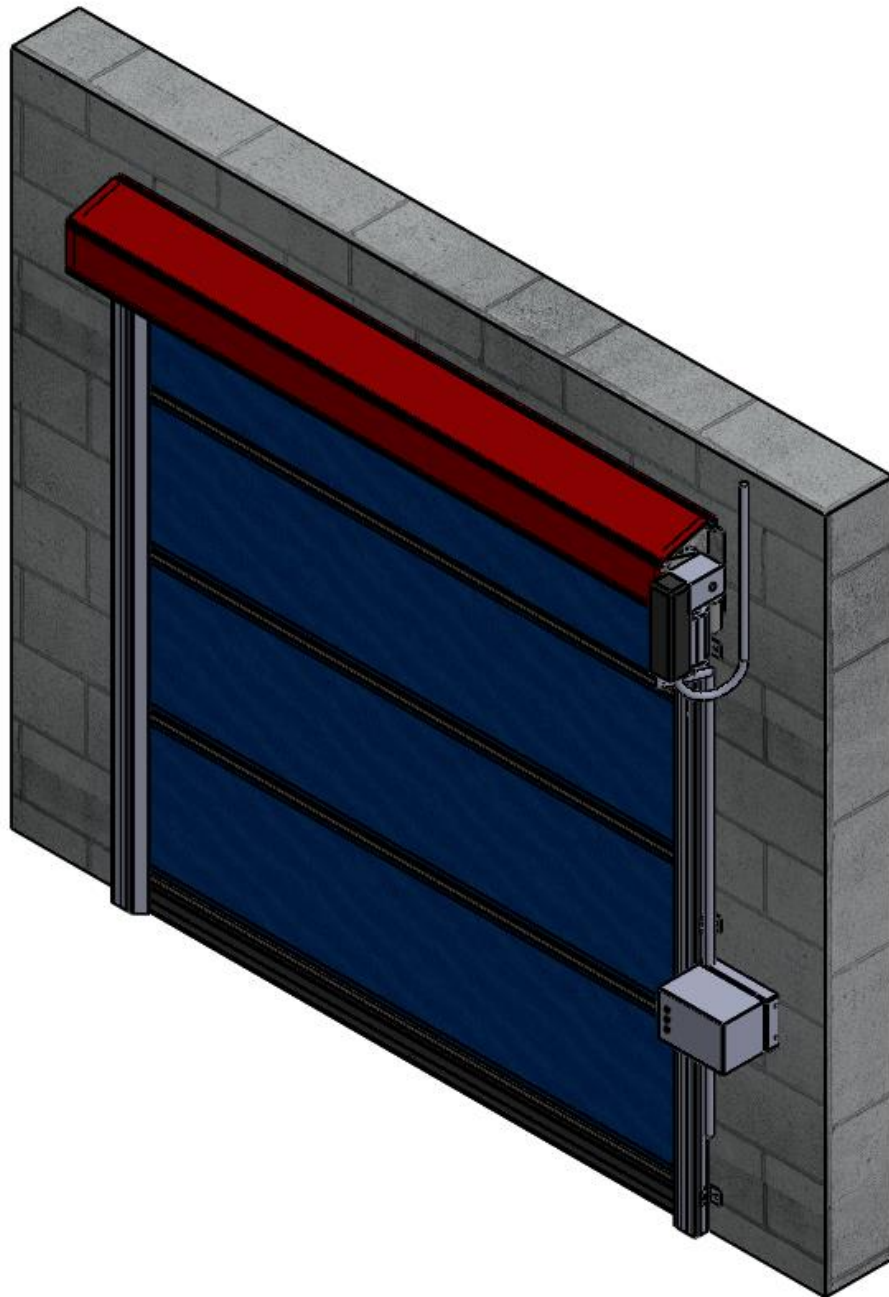




**READ THIS MANUAL CAREFULLY. OBSERVE WARNINGS AND PRACTICE CAUTION WHEN INSTALLING, OPERATING, OR MAINTAINING YOUR GOFF'S G1 DOOR ASSEMBLY.**

## **G2 EXTERNAL OPERATOR DOOR ADJUSTMENT INSTRUCTIONS**



**DOOR ADJUSTMENT – EXTERNAL OPERATOR**

## **ADJUST THE OPERATOR**

1. After a qualified Electrician has mounted the Switch Control Box, and connected all of the wiring:
2. Release the ties on the roll assembly.
3. Apply power to the Door Assembly.
4. Note: Always, FIRST TOGGLE THE DOOR DOWN toward the closed position.
5. Depress the “Close” button until the door nears the fully closed position.
6. Using the Hand-Crank, lower the door to the fully closed position.
7. On the Operator, loosen the set screw and rotate the White Cam Lobe CCW until it depresses the Limit Switch. You should hear a click. Tighten the set screw. (Figure 1 EXTERNAL MOTOR ADJUSTMENTS)
8. Run the door partially upward, stop, and then close again a few times to make finer adjustments for the closed position, as desired.
9. Depress the “Open” button until the door nears the fully open position.
10. Using the Hand-Crank, open the door to the fully open position.
11. On the Operator, loosen the set screw and rotate the Green Lobe CW until it depresses the Limit Switch. You should hear a click. Tighten the set screw. (Figure 1 EXTERNAL MOTOR ADJUSTMENTS)
12. Run the door partially downward, stop, and then open again a few times to make finer adjustments for the open position, as desired.

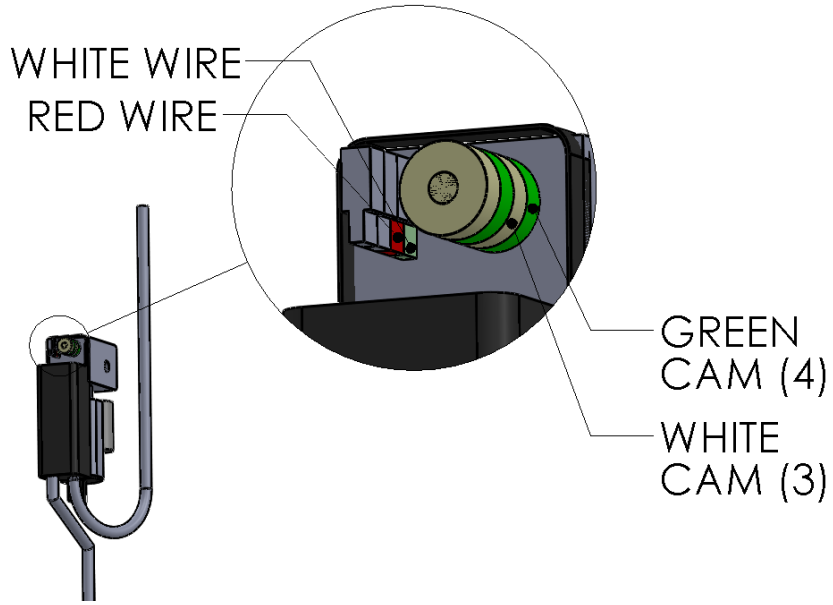


Figure 1 EXTERNAL MOTOR ADJUSTMENTS

## LIMITED WARRANTY

### Model 2000, Clean Guard, G2 Doors



Goff's Enterprises, Inc. warrants all High Performance Doors from failure in normal use due to defects in material or workmanship for a period of **THREE years** from date of purchase. This warranty includes **all parts and warranty related labor** as approved by Goff's tech support team. Goff's Enterprises, Inc. may elect to repair or replace defective or damaged goods.