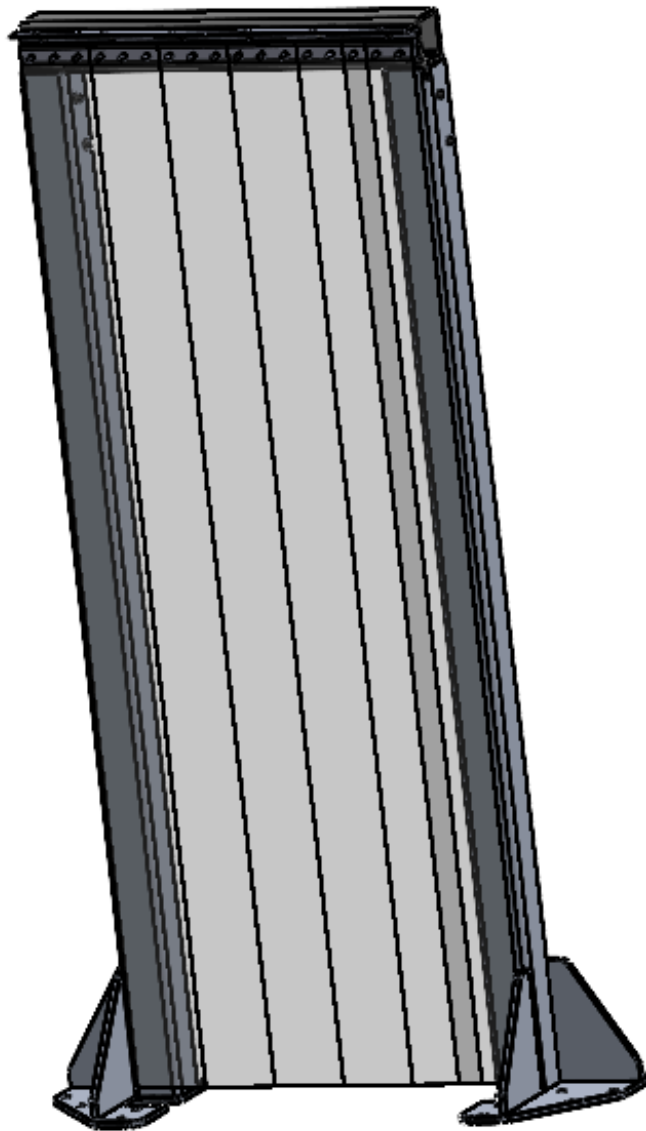


DOOR FRAME WITH COMMERCIAL STRIP DOOR INSTALLATION INSTRUCTIONS

READ THIS MANUAL CAREFULLY. OBSERVE WARNINGS AND PRACTICE CAUTION WHEN INSTALLING, OPERATING, OR MAINTAINING YOUR GOFF'S DOOR ASSEMBLY.



ASSEMBLE FRAME COMPONENTS

1. Lay the Door Frame Posts and Top Beam on the ground.
2. Center, mark and mount the Strip Curtain Mounting Bracket to the Top Beam (Hardware not provided). (Figure 1 Install Strip Door Mounting Bracket to Beam)

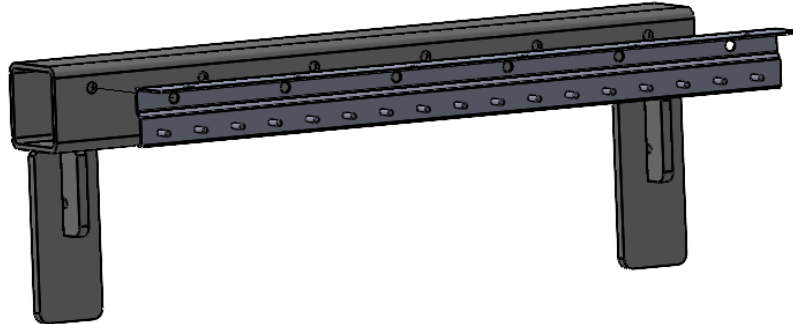


Figure 1 Install Strip Door Mounting Bracket to Beam

3. Insert the Beam into the Posts (Note Orientation of Post Mounting pads) and secure with the provided bolts and Nylock Nuts. (Figure 2 Assemble Posts and Beam)

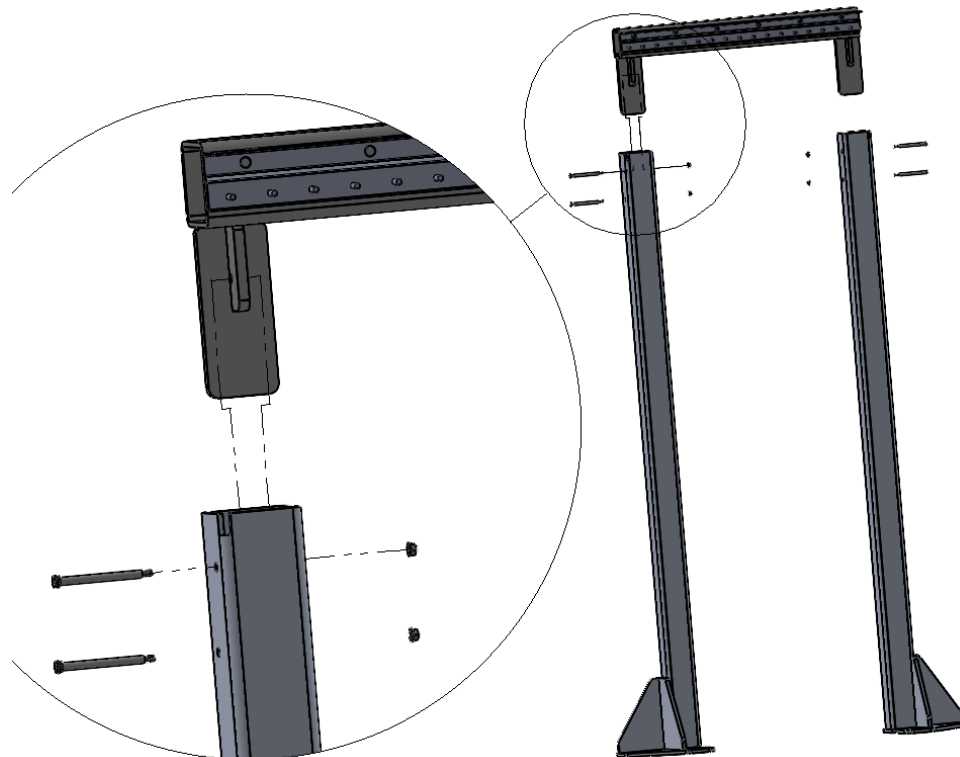


Figure 2 Assemble Posts and Beam

INSTALL DOOR FRAME AND HANG STRIPS

4. Stand the assembled Door Frame upright, locate the unit, and bolt it to the floor surface (Hardware not provided).
5. Hang Plastic Strips onto the Strip Door Mounting Bracket studs per your order.

Note: See *Strip Door Curtain Installation Instructions* to determine overlap arrangement.

WARNING

ALL INSTALLATION INSTRUCTIONS MUST BE FOLLOWED, AND CRITICAL ALIGNMENT REQUIREMENTS MUST BE MET. OTHERWISE, THE PERFORMANCE AND CONSISTENT OPERATION OF YOUR DOOR WILL BE COMPROMISED.

LIMITED WARRANTY

Strip Curtains



Goff's Enterprises, Inc. warrants all Strip Curtains from failure in normal use due to defects in material or workmanship for a period of **Three years** from date of purchase with warranty related labor for the first year as approved by Goff's Technical Support Team.

Goff's Enterprises, Inc. may elect to repair or replace defective or damaged goods.

Technical Support Team: 262-746-3374