

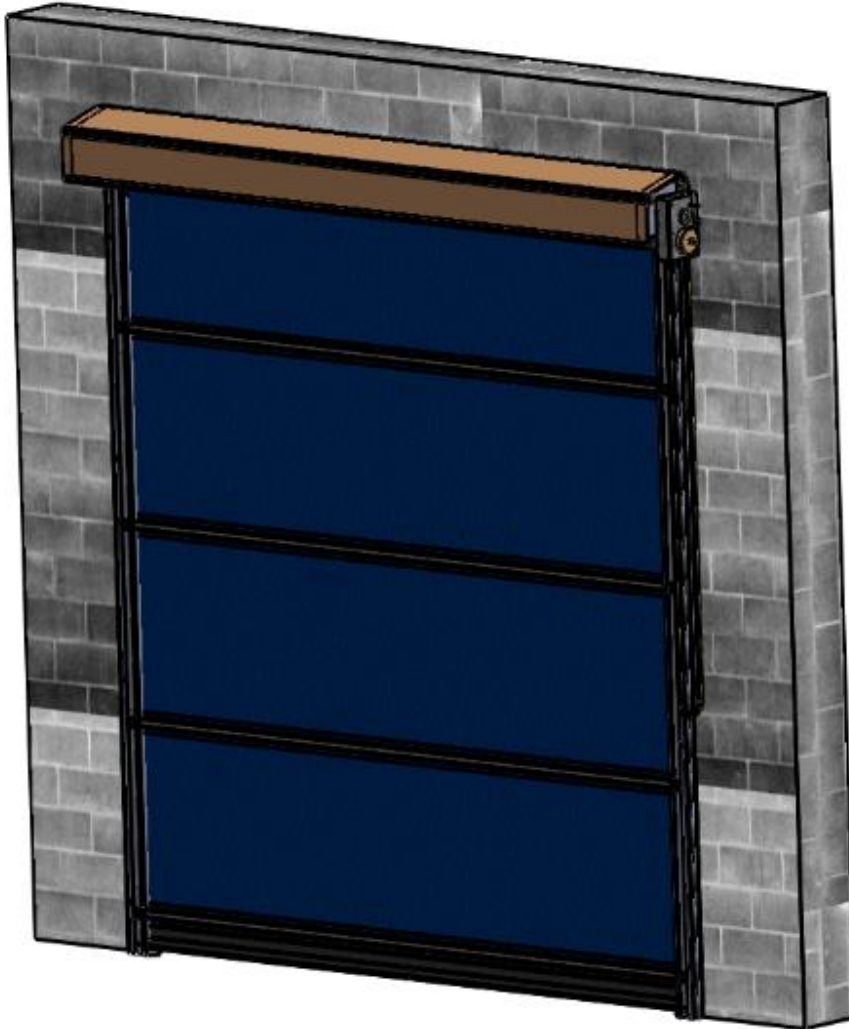


READ THIS MANUAL CAREFULLY. OBSERVE WARNINGS AND PRACTICE CAUTION WHEN INSTALLING, OPERATING, OR MAINTAINING YOUR GOFF'S G1 DOOR ASSEMBLY.

G1XL SERIES – FLUSH MOUNTED COMMERCIAL VINYL DOOR CHAIN HOIST CHANGE-OVER INSTRUCTIONS

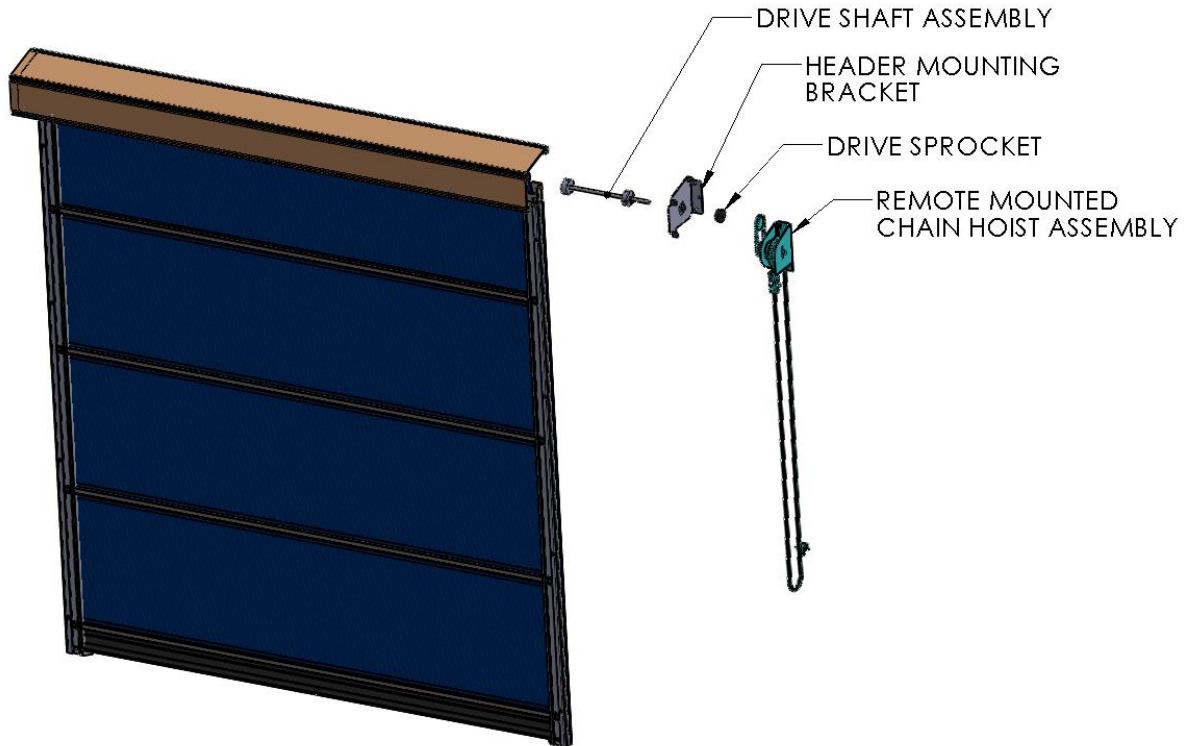


CHANGE-OVER 73007FXXG1XLFMRHASSYMAINCHN



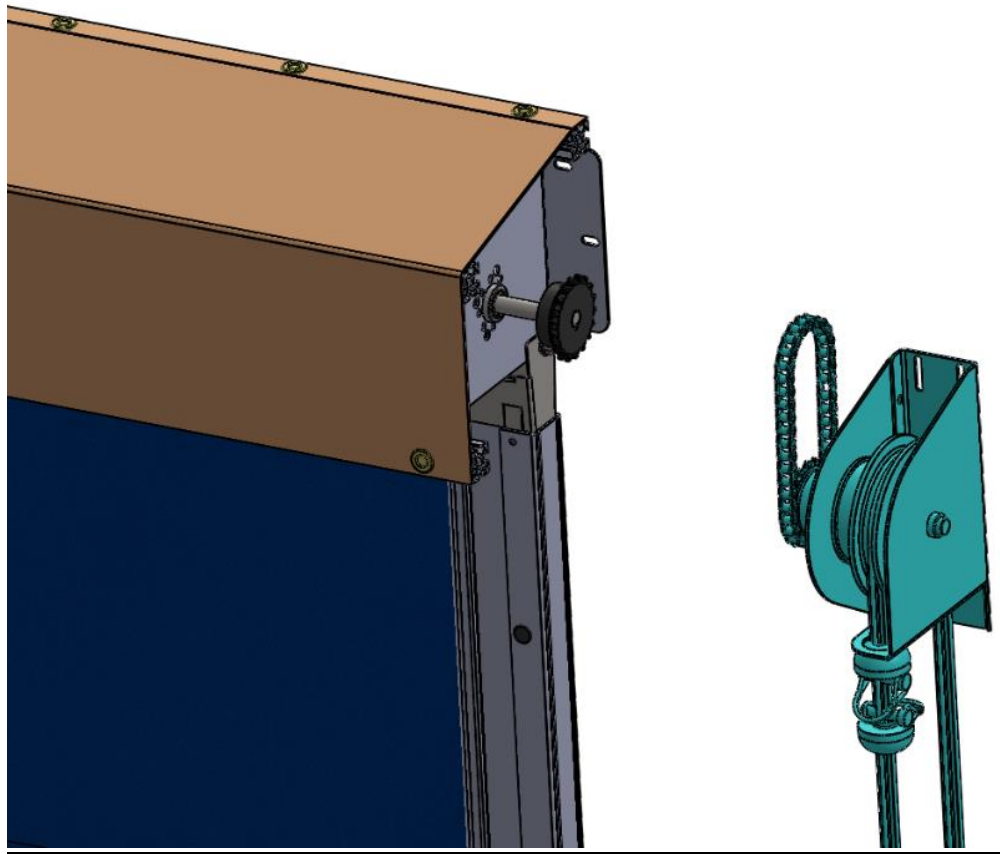
PREPARE FOR CHAIN HOIST CHANGE OVER

1. Roll the door assembly fully onto the Roll Tube, and tie door tight to tube with Vinyl Ties provided.
2. Note: The Door Assembly and Header Assembly will need to be supported during this change-over. If the Man-Lift is used to support these assemblies be sure to collect and load all items onto the Man-Lift before dis-mounting the Header Bracket from the Mounting Surface.



Support Header Assembly and Remove Remotely Mounted Chain Hoist

1. With all of your tools, and the replacement Chain Hoist on-board, raise the Man-Lift in a location and manner where it can both support the Header Assembly, and allow you access to the Chain hoist/Drive side.
2. Loosen the bolts holding the Remote Mounted Chain Hoist, slide the unit up and remove the Drive Chain.
3. Unbolt the Chain Hoist, and put it aside for return shipment.

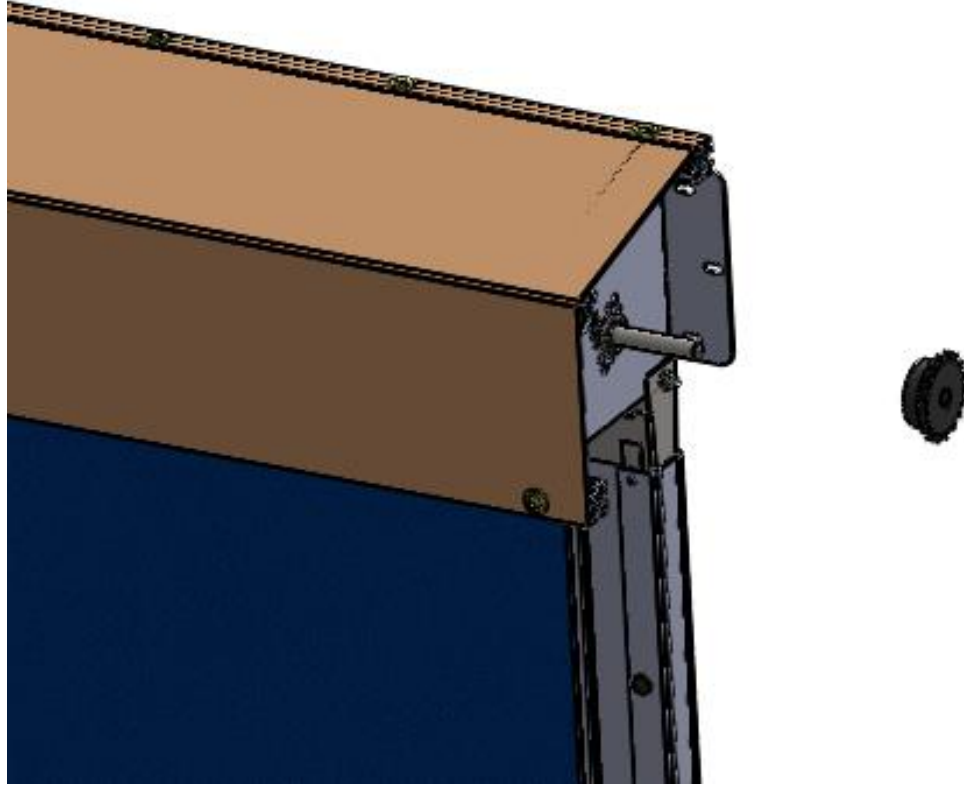


REMOVE TRACK BOLT, DRIVE SPROCKET, HEADER BRACKET, AND DRIVE SHAFT ASSEMBLY

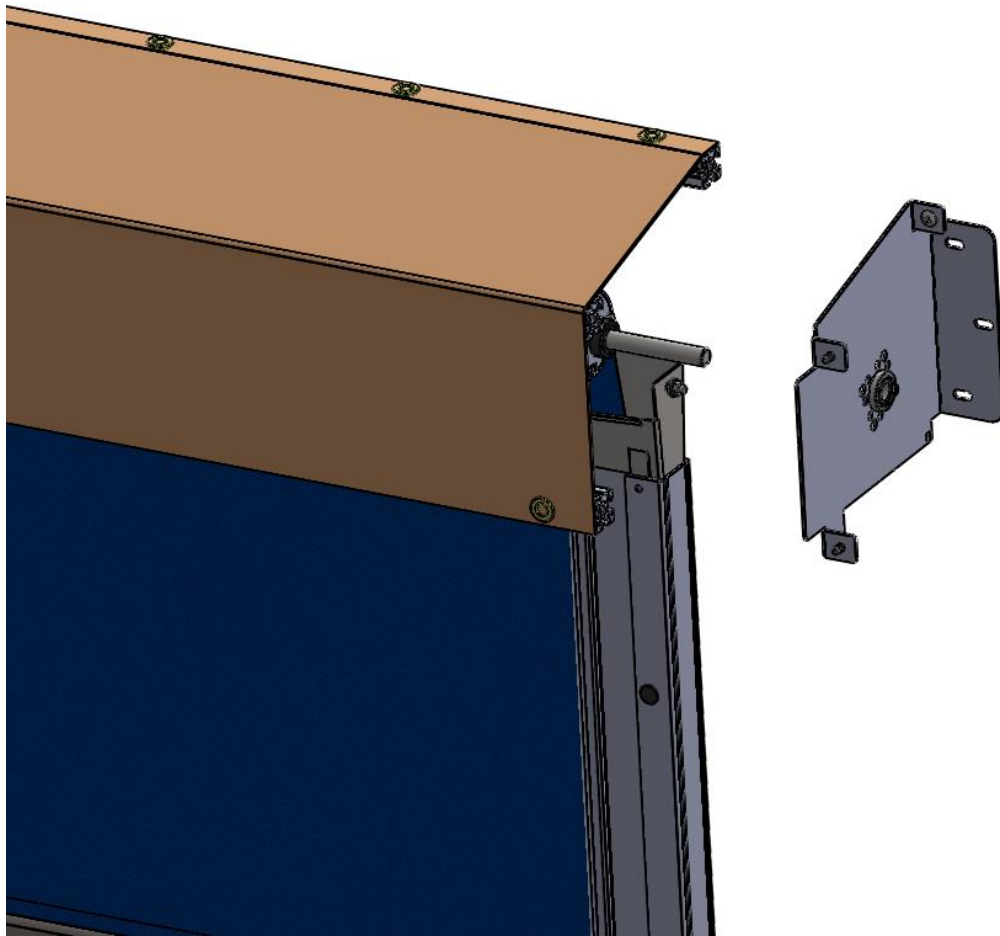
1. Locate, remove, and retain the Track Mounting Hardware, noting orientation.



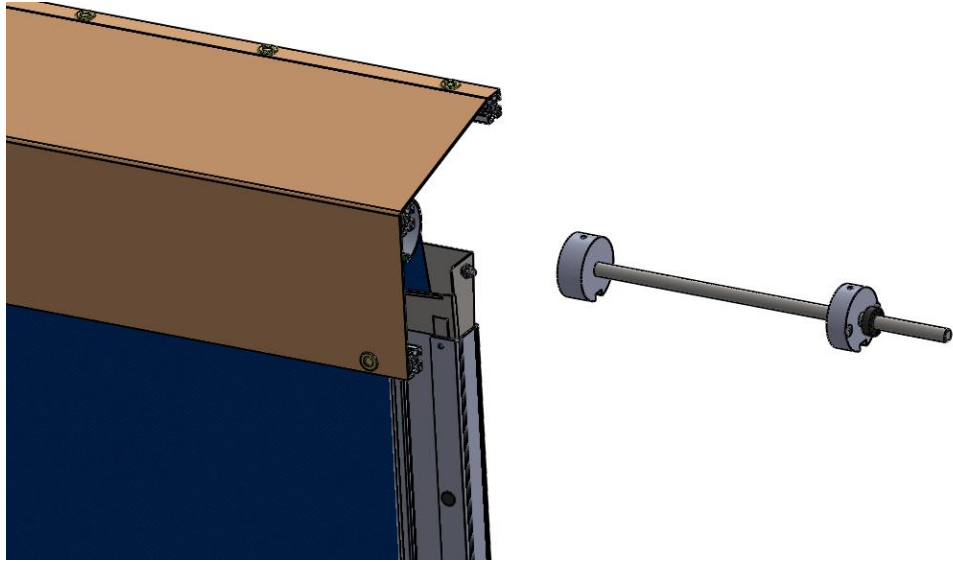
2. Loosen Drive Sprocket set-screws, remove Drive Sprocket, and put it aside for return shipment.



3. Loosen the screws that hold the Vinyl Cover to the Top Box frame.
4. **NOTE:** Ensure that the Roll Assembly is securely supported before proceeding.
5. Loosen (3) screws attaching the Header Mounting Bracket to the aluminum tie-bars.
6. Remove the mounting hardware attaching the Header Mounting Bracket to your mounting surface.
7. Remove (3) screws attaching the Header Mounting Bracket to the aluminum tie-bars.
8. Slide the Header Mounting Bracket off of the Drive Shaft, put it aside for return shipment.

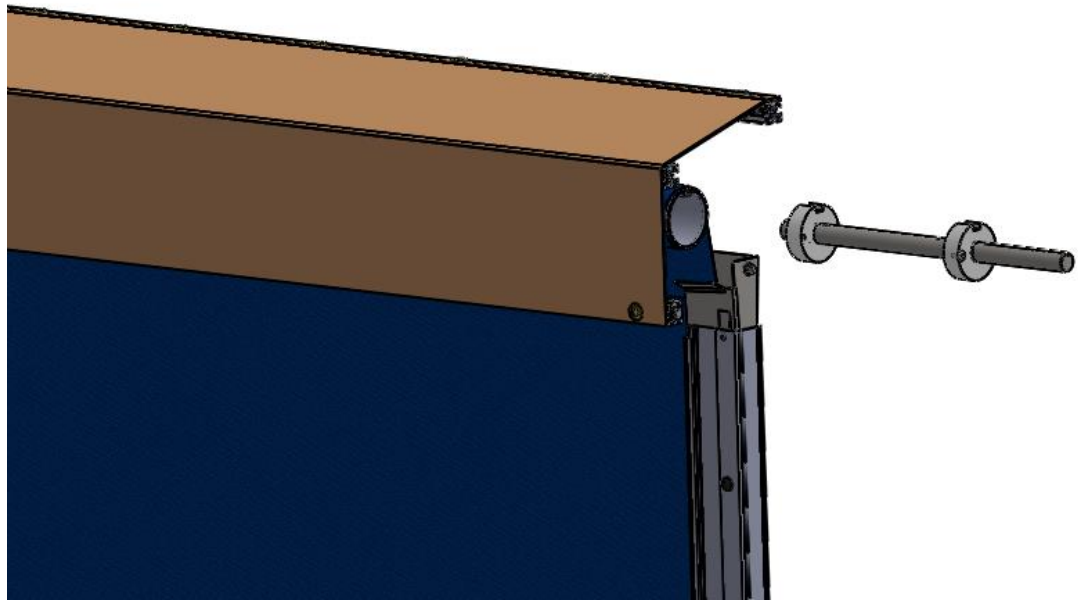


9. Slide the Drive Shaft Assembly out of the Roll Tube, put it aside for return shipment.

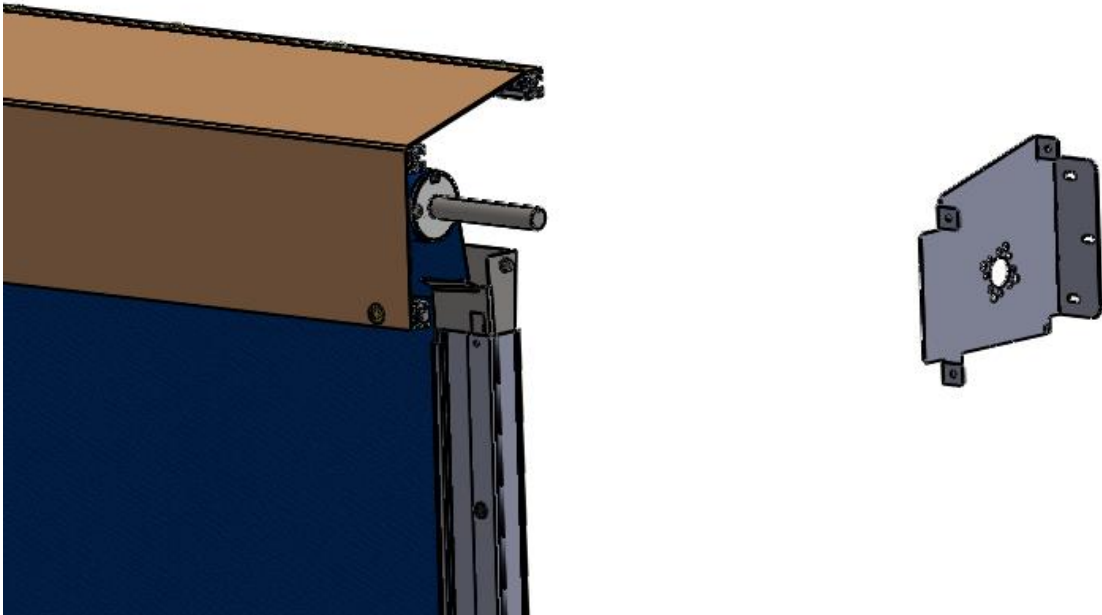


INSTALL DRIVE SHAFT ASSEMBLY & HEADER MOUNTING BRACKET

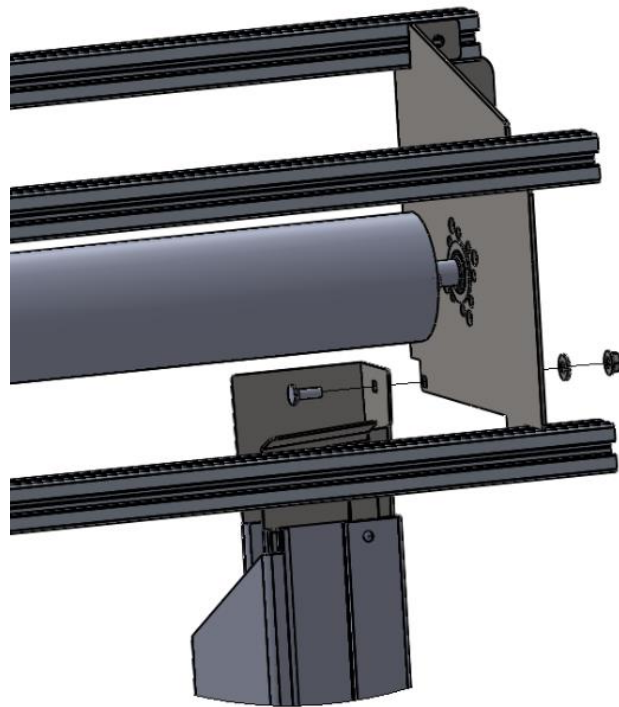
1. Slide the 1" Drive Shaft Assembly into the Roll Tube with the keyway oriented down.



2. Slide the Header Mounting Bracket, with 1" bore Bearing, onto the Drive Shaft Assembly.

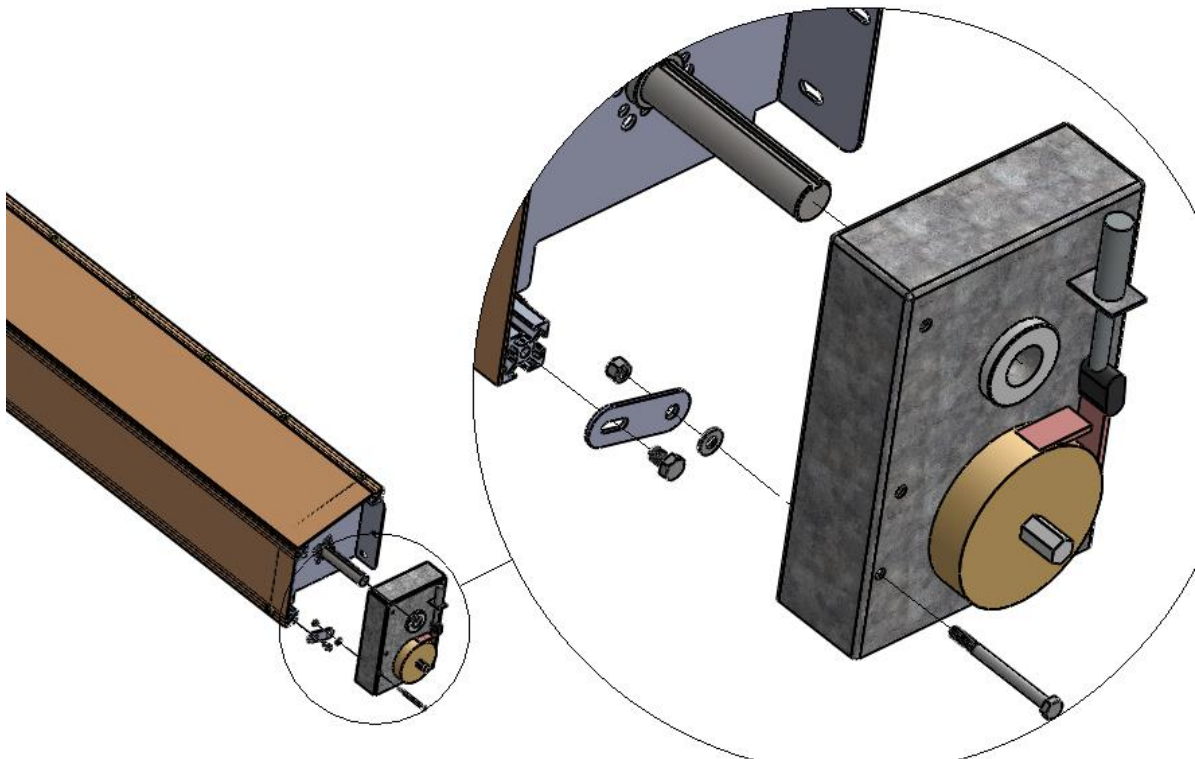


3. Re-install (3) screws attaching the Header Mounting Bracket to the aluminum tie-bars.
4. Re-install the mounting hardware attaching the Header Mounting Bracket to your Mounting Surface, squaring the Bracket before snugging the hardware.
5. Re-install the Track Mounting Hardware to the Header Bracket



INSTALL CHAIN HOIST ASSEMBLY

1. Insert the provided 1/4" Sq. Key stock into the Chain Hoist Key Way, and slip the Chain Hoist Operator onto the 1" Dia. Drive Shaft.
2. Insert the 3" long Hex Bolt through the width of the Chain Hoist Operator, through the washer and flat Bracket, and secure with the Nylon Hex Nut.
3. Secure the Hex Bolt through the flat Bracket, and into the end of the Aluminum Extrusion.
4. Release the ties on the roll assembly.



WARNING

ALL INSTALLATION INSTRUCTIONS MUST BE FOLLOWED, AND CRITICAL ALIGNMENT REQUIREMENTS MUST BE MET: IN ORDER TO ENSURE THAT THE ROLL HEADER ASSEMBLY IS LEVEL, AND THAT THE TRACKS AND BRACKETS ARE ALL PLUMB, AND SQUARE. FAILURE TO DO SO WILL ALTER THE PERFORMANCE AND CONSISTENT OPERATION OF YOUR DOOR.

LIMITED WARRANTY

G1 Bug Screen/Vinyl Doors



Goff's Enterprises, Inc. warrants all G1 bug screen/vinyl doors from failure in normal use due to defects in material or workmanship for a period of **TWO years** from date of purchase with warranty related labor for the first year as approved by Goff's tech support team. Goff's Enterprises, Inc. may elect to repair or replace defective or damaged goods.