



**READ THIS MANUAL CAREFULLY.
OBSERVE WARNINGS AND PRACTICE
CAUTION WHEN INSTALLING,
OPERATING, OR MAINTAINING YOUR
GOFF'S G1 DOOR ASSEMBLY.**

Bi-Parting Curtain with Cam-Lock Installation Instructions

Overview of Track Installation

*Track Splices are located at about 4" from each end regardless of Curtain/opening width, and at all Track ends along the "run".

*Door openings greater than 8' (eight feet) wide will require additional Track Splices. Door openings at, or less than, 8' (eight feet) typically do not require a center Splice.

*The last piece of Track may be harder to install "in place", so some, or all (depending upon the width), assembly on the floor may prove to be easier.

*Door openings that are greater than 8' (eight feet) high, require additional vertical fiberglass Extension Poles along the top, and are supplied.

*The Track Rollers need to be installed into the Track before installing the last section of Track.

Preparation

*To determine any adjustment to the Track length, measure the total length of the Track pieces, and the opening at the Header. If the total Track length is less than the opening width, this can be compensated for by pulling a small gap at each joint and at the ends. If there is more Track than Opening width, remeasure the final gap at the end of the "run", and cut the last piece at that time.

*Move the Curtain(s) in the warmest room temperature available to aid in handling later.

Track Installation (In Place)

1. Snap a chalk line on the underside of the Header to ensure alignment of the Track Splice Mounting Brackets. (Figure 1 Snap Line, Install Track Splice and Track)
2. Install the Track Splices to the underside of the Header with fasteners suited for the building material. Make sure that the Track Splices are aligned to the chalk line along the underside of the Header, and that there is a Splice located at all Track junctions. (Figure 1 Snap Line, Install Track Splice and Track)
3. Loosen and/or remove the nuts from one half of the track splices and install one track section. Make sure that the Track sits squarely in the Splices. Reinstall and tighten the Splice Clamp nuts. Repeat for the length of the run. (Figure 1 Snap Line, Install Track Splice and Track)
4. Install the Roller -Hooks, then install the last section of Track.

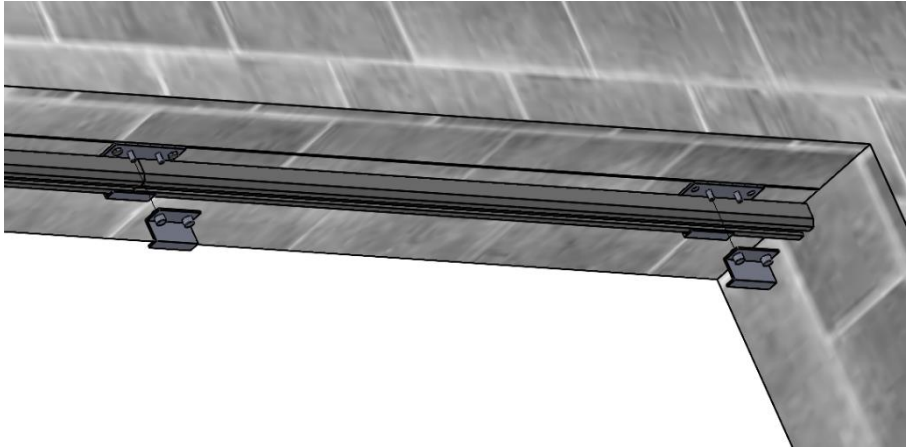


Figure 1 Snap Line, Install Track Splice and Track

Curtain Preparation

1. Unfold the curtain on a clean flat surface.
2. Locate the fiberglass Extension Tube(s) and Locate the opening at the top (Grommeted edge) of the Cam Lock edge/leading edge (Figure 2 Install Extension Tube)
3. Insert the Tube into the centermost pocket/ folds (between mesh material for Bug Blocking Curtain) until it engages the splice/coupler below. To fully seat the stiffener extension tube you may have to tap the end. When fully seated, the tube will be about 3” below the top edge of the Curtain. (Figure 2 Install Extension Tube)

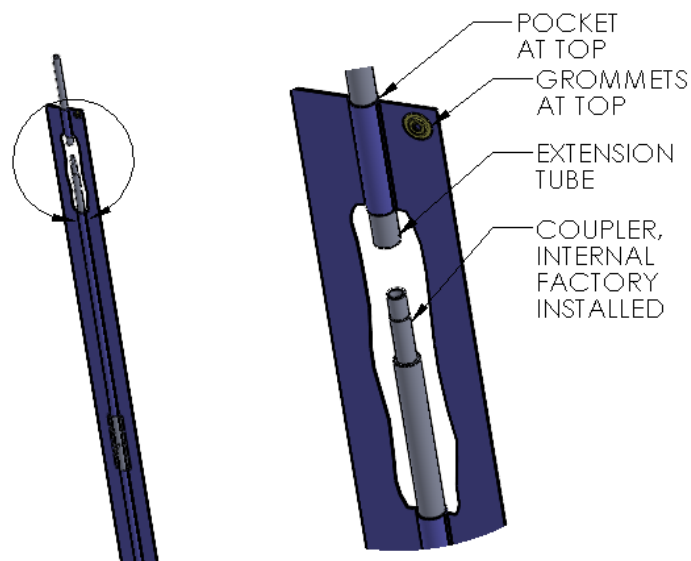


Figure 2 Install Extension Tube(s)

Curtain Installation

1. Hang the Curtain Grommets on the Roller Hooks. (Figure 3 Hang Curtain on Roller hooks, Crimp Hooks)

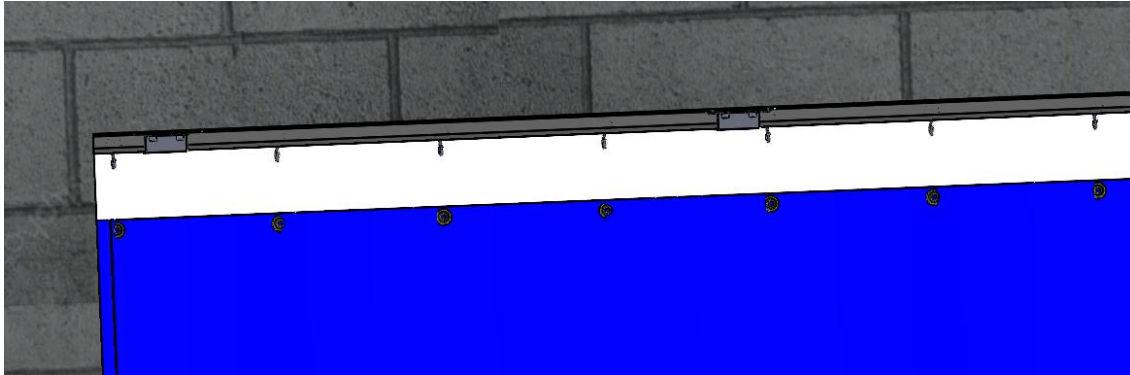


Figure 3 Hang Curtain on Roller hooks, Crimp Hooks

Cam Lock Installation

1. Measure and mark the center of the Curtain opening on the floor.
2. Couple the two halves of the curtain by moving the handles of the two Curtain halves toward each other until the magnets catch the metal bar of the other half.
3. Center the two Cam Lock poles over your mark on the floor.
4. Ensure that the Curtain is plumb front to back, then mark the pole locations on the floor. (Figure 4. Stretch and Plumb Curtain, Mark and Drill Floor)
5. For each Cam Lock Pole, drill a $\frac{3}{4}$ " hole about 1" deep into the floor at this location. (Figure 4. Stretch and Plumb Curtain, Mark and Drill Floor)
6. Latch the Cam Locks into the floor
7. Move to the next Cam Lock down the line. Grasp the next Cam Lock pole and pull the curtain taut to the center Cam Lock.
8. Plumb, mark, drill and engage the Cam Lock into the floor, and repeat the process.
9. Repeat for the other side/half of the Curtain run.

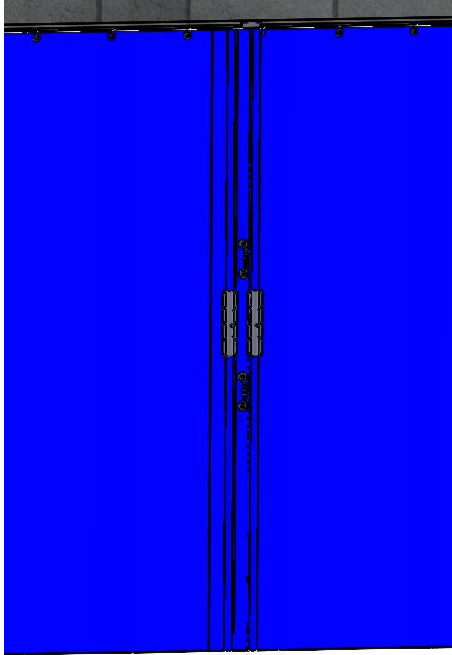


Figure 4. Stretch and Plumb Curtain, Mark and Drill Floor

Secure Curtain to Wall

1. At the far end of the Curtain, thread a Tie-Back Strap through a grommet at about waist high. (Figure 5 Install Tie-Back Strap)
2. When there are no more Cam Locks to install in that side of the Curtain “Run”, fold and fasten the free end of the Curtain to the wall through the Grommets in the Curtain. Screws and anchors are provided. (Figure 6 Anchor, Fold and Fasten Curtain to Wall)

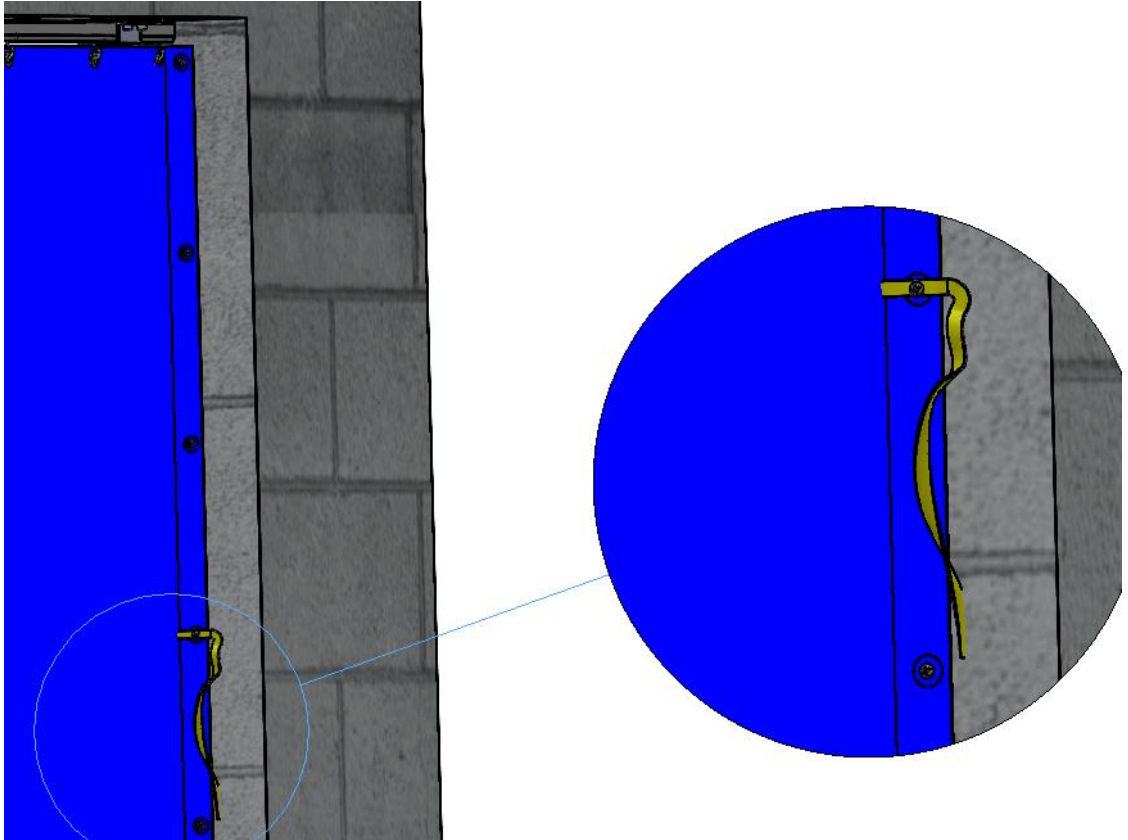


Figure 5 Install Tie-Back Strap

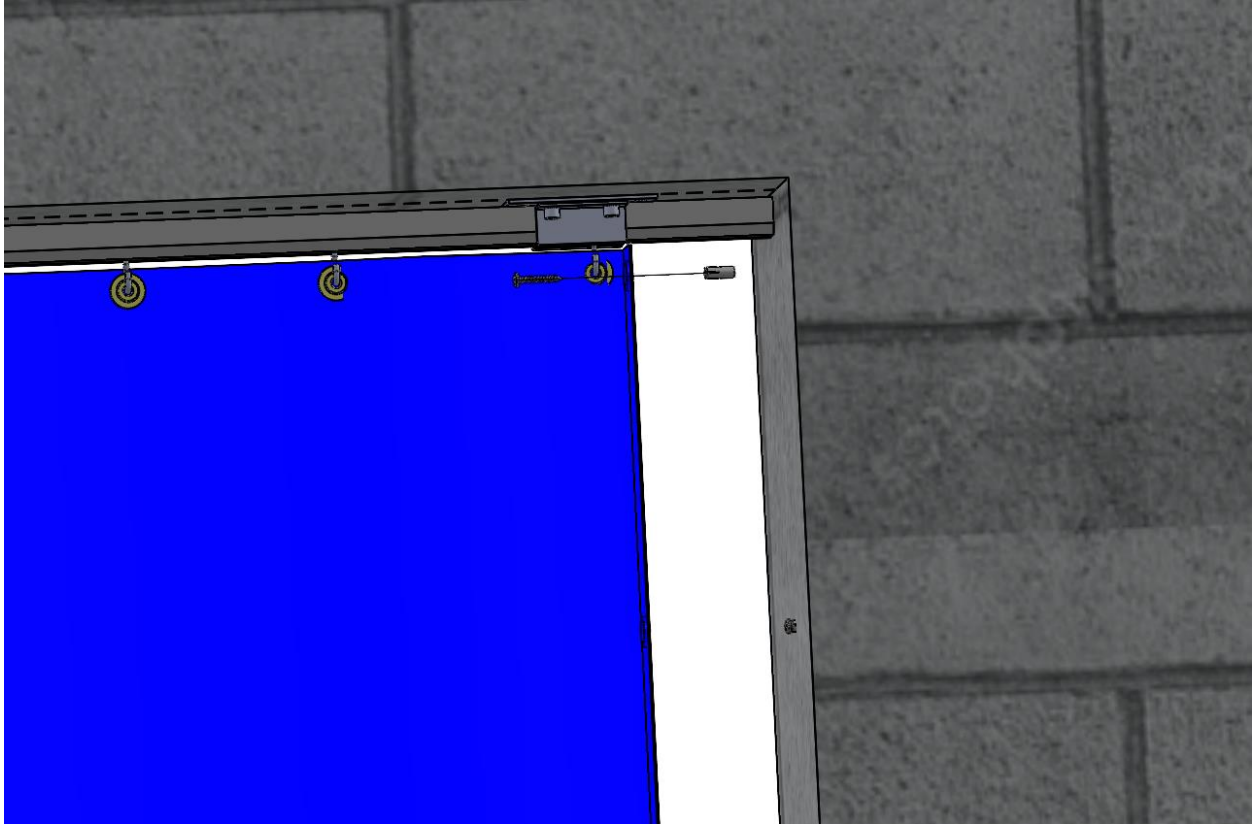


Figure 6 Anchor, Fold and Fasten Curtain to Wall

Mount the Valance and Trim the Sweep

1. Attach the valance panel to the building fascia through the grommets using the provided rubber washers and self-tapping screws. Center the Valance on the opening, and locate the top edge at about be 2"-4" (two to four inches) above the door opening Header concealing the Curtain Grommets and Roller Hooks. Screws and anchors are provided. (Figure 7 Install Valance)
2. Using scissors, trim the Door Sweep at the bottom of the Curtain to conform to the floor.

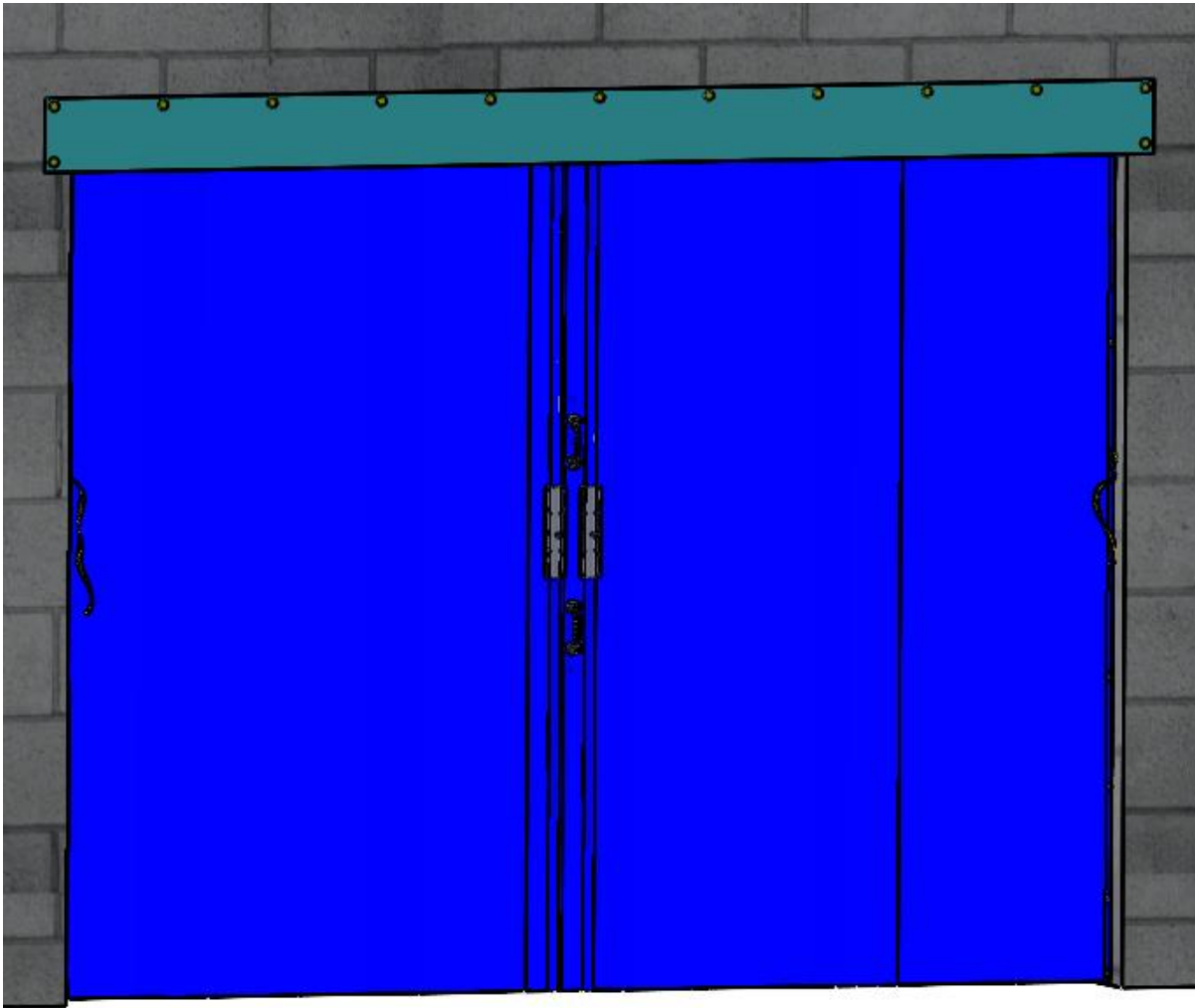


Figure 7 Install Valance

Goff's Curtains



Goff's Enterprises, Inc. warrants all Curtain Wall systems from failure in normal use due to defects in material or workmanship for a period of five years from date of purchase. Lifetime warranty on all track and roller hardware. Goff's Enterprises, Inc. may elect to repair or replace defective or damaged goods.