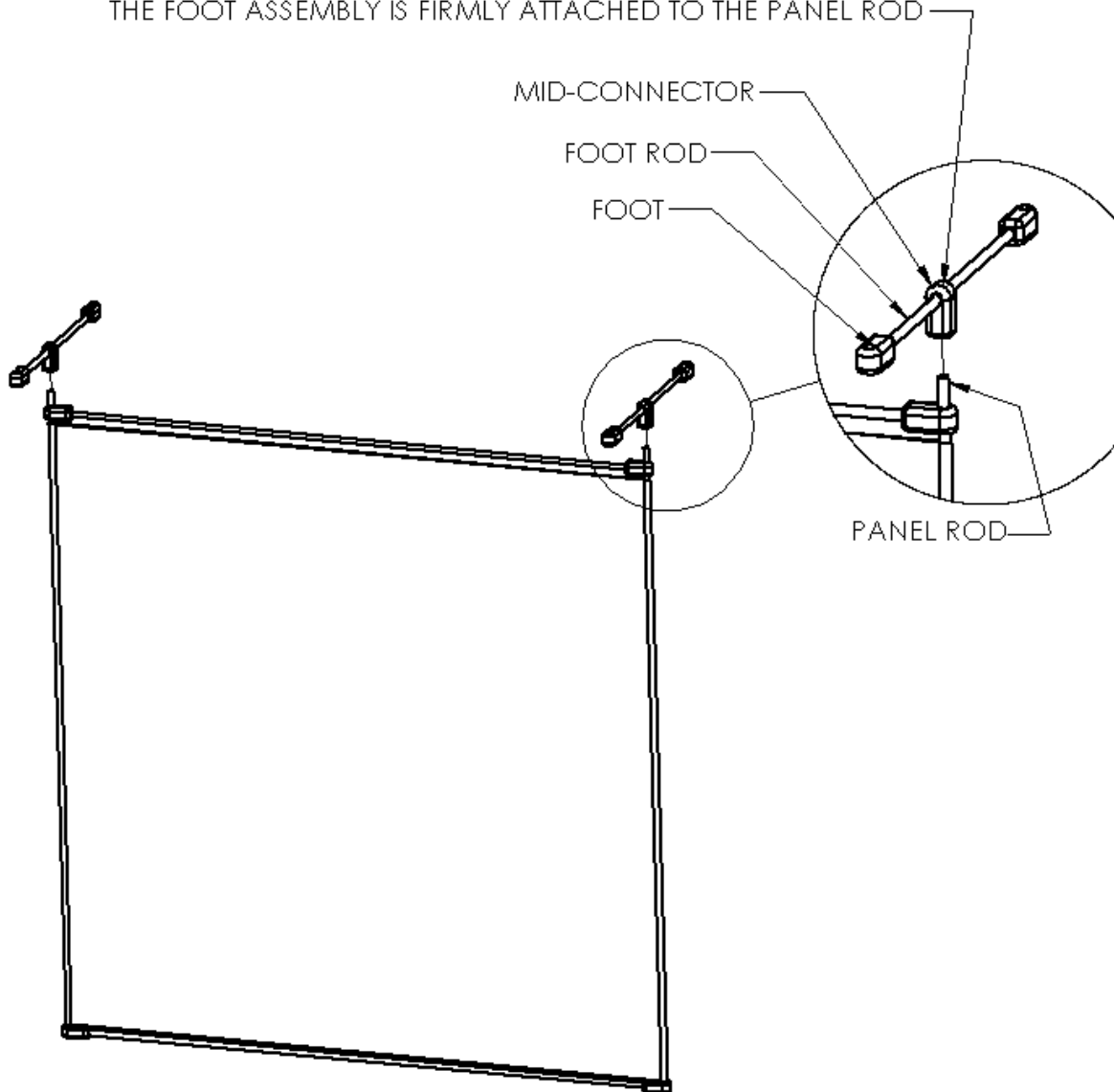




READ THIS MANUAL CAREFULLY. OBSERVE WARNINGS AND PRACTICE CAUTION WHEN INSTALLING, OPERATING, OR MAINTAINING YOUR GOFF'S PARTITION.

Table-Top Personal Safety Partition Assembly Instructions

STRIKE SHARPLY (THE MID-CONNECTOR) WITH WOODEN Mallet OR BOARD UNTIL THE FOOT ASSEMBLY IS FIRMLY ATTACHED TO THE PANEL ROD



1. Stand the panel assembly on the floor or on a table as shown.
2. Using a non-metallic hammer, pound the Mid-Connector fully onto the Panel Rod.