

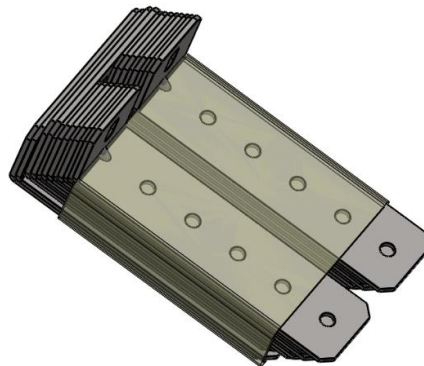
## G1 SERIES – PROJECTION MOUNTING INSTALLATION INSTRUCTIONS

**READ THIS MANUAL CAREFULLY. OBSERVE WARNINGS AND PRACTICE CAUTION WHEN INSTALLING, OPERATING, OR MAINTAINING YOUR GOFF'S DOOR ASSEMBLY.**

1. Find the package of Projection Mount Brackets, and a bag with screws, nuts and Velcro strips. (Figure 1 PROJECTION BRACKET PACKAGE)

**NOTE:** Some Projection Brackets are produced as one piece. Skip down to the “Install Header Projection Brackets” section in this case.

2. Assemble two (2) Header Bracket assemblies by measuring to the outer edges of the brackets and installing (4) four sets of ¼-20 screws and nuts, provided, through corresponding holes. (Figure 2 HEADER BRACKET ASSEMBLY)
3. Assemble (8) eight Track Bracket assemblies by measuring to the outer edges of the brackets and installing (2) two sets of ¼-20 screws and nuts, provided, through corresponding holes. Set these Brackets aside for now. (Figure 4 TRACK BRACKET ASSEMBLY)



*Figure 1 PROJECTION BRACKET PACKAGE*

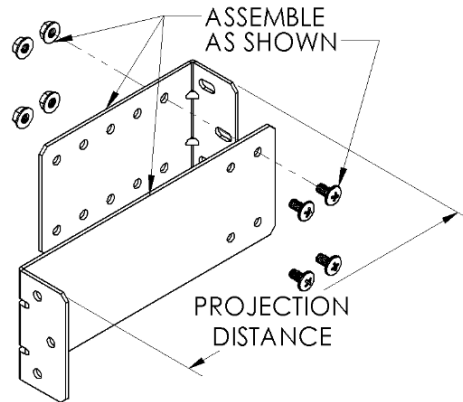


Figure 2 HEADER BRACKET ASSEMBLY

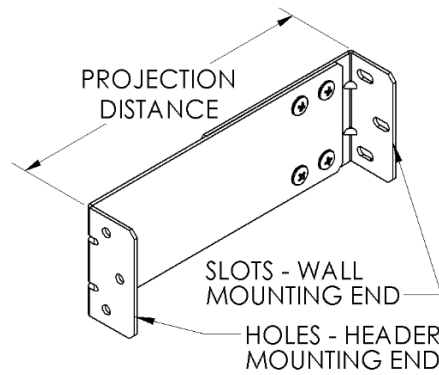


Figure 3 COMPLETE HEADER BRACKET ASSEMBLY (2 Req'd)

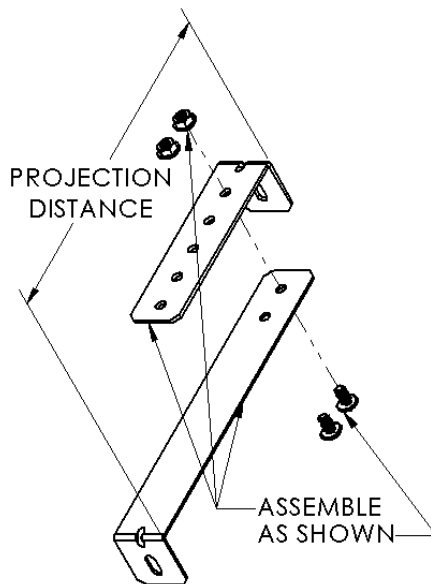


Figure 4 TRACK BRACKET ASSEMBLY

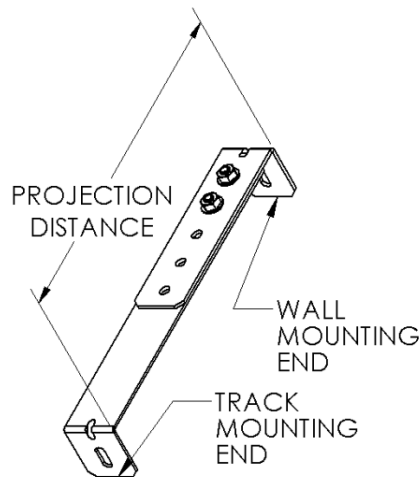


Figure 5 COMPLETED TRACK BRACKET ASSEMBLY (8 Req'd)

## **INSTALL HEADER PROJECTION BRACKETS**

1. Using the wall end of one of the Header Projection Mount Brackets, trace the insides of its oval mounting slots onto the wall mount surface (a Sharpe permanent marker works great for this). Be sure that its flange is facing outward, that its bottom edge is on the height line, and that the outer edge is on your vertical overall width line. (Figure 6 LOCATE/INSTALL HEADER OFFSET MOUNTING BRACKET)
2. Predrill through the centers of the traced locations for the mounting hardware, three (3) pilot holes on each side. Using adequate mounting screws or bolts (depending on your building/surface material) attach the header offset brackets to each side of the opening. (Figure 6 LOCATE/INSTALL HEADER OFFSET MOUNTING BRACKET)

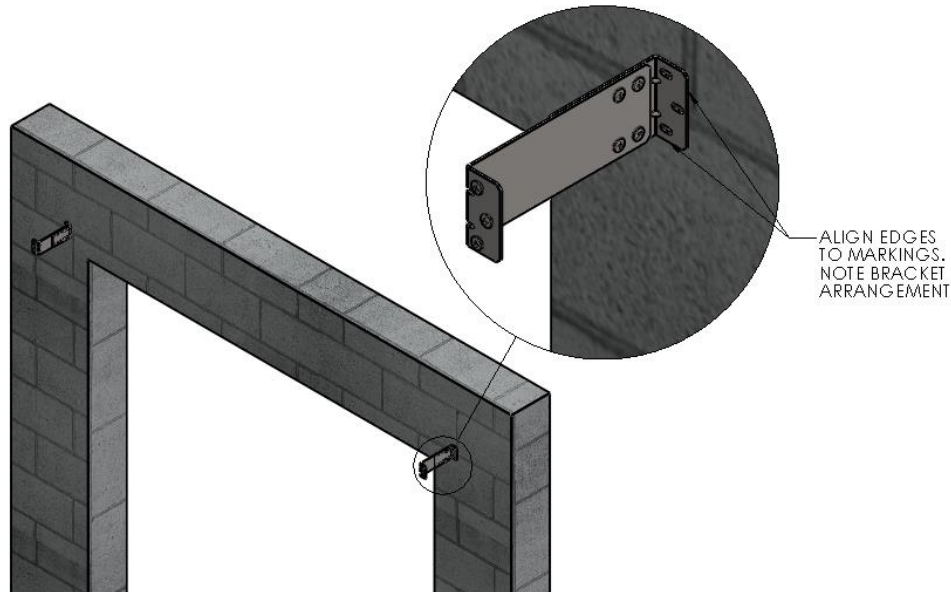


Figure 6 LOCATE/INSTALL HEADER OFFSET MOUNTING BRACKET

## **RAISE AND ATTACH THE ROLL HEADER ASSEMBLY**

1. Using two (2) people, and two ladders at minimum, raise the Roll Header Assembly into place on the offset brackets and secure with three (3) sets of ¼-20 screws and hex nuts per side. Do not fully tighten hardware until the Header Assembly Brackets are aligned with the offset brackets/edges. (Figure 7 MOUNT HEADER ASSEMBLY TO OFFSET BRACKETS)
2. Once aligned, fully tighten all six sets of hardware. Check the Header Assembly for level, and make any necessary final adjustments.
3. At this point leave the roll assembly tied off and held in place as it comes.

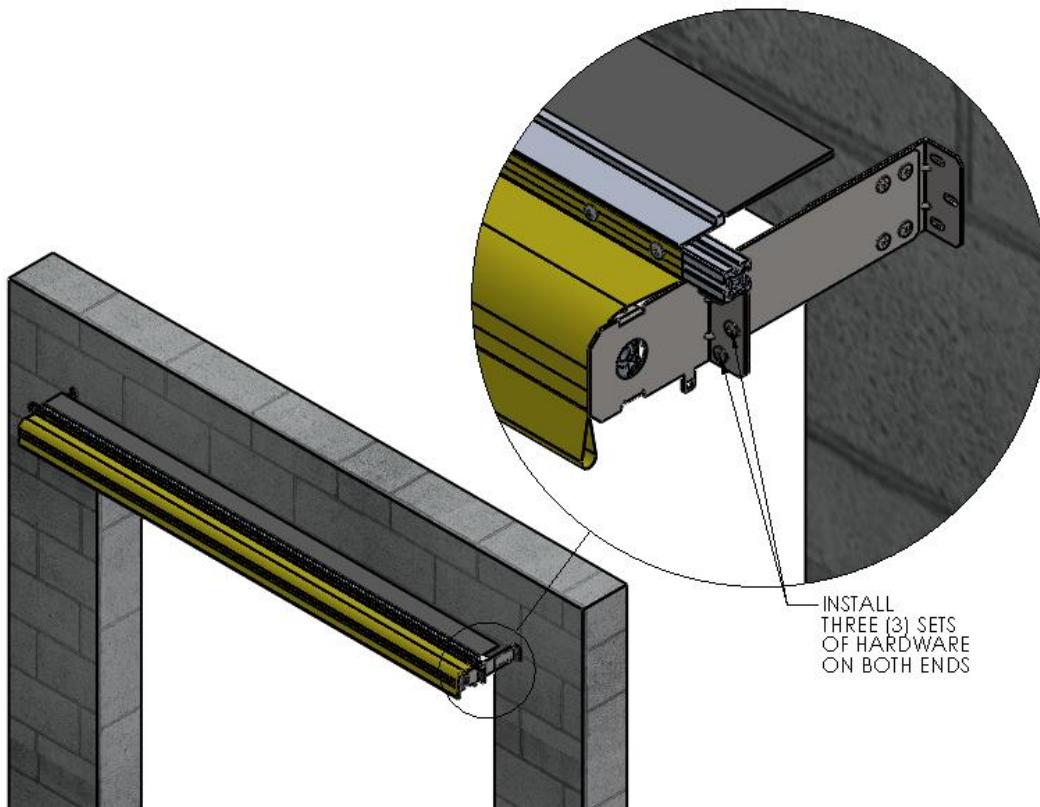
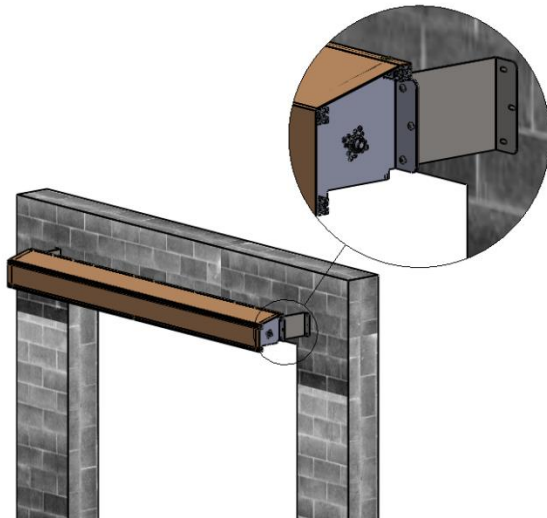
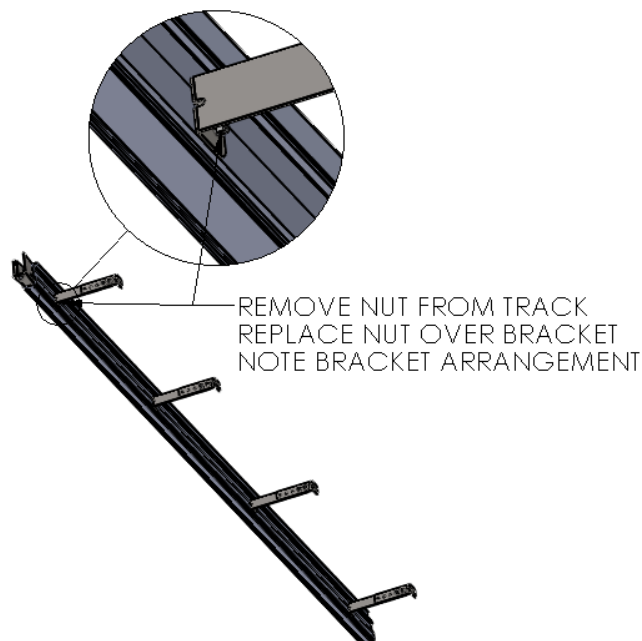


Figure 7 MOUNT HEADER ASSEMBLY TO OFFSET BRACKETS



## PREPARE THE VERTICAL TRACK ASSEMBLIES

1. Lay the two Vertical Track Assemblies on your work surface, and un-roll the Side Seal material.
2. The tracks have hardware for the offset brackets to be mounted. Also note they are marked for orientation as left side, and right side.
3. Locate the Track Projection Mount Brackets, previously assembled, four (4) per track. Using the hardware in the Track Assembly, attach these brackets with the longer arm side toward the tracks at the four locations. These brackets should be mounted so that they are horizontally oriented, i.e. so that they are parallel to the floor (NOT vertically oriented /up and down). (Figure 5 COMPLETED TRACK BRACKET ASSEMBLY (8 Req'd))
4. Fully tighten these brackets once they are evenly aligned with the track edges. Re-install the plug caps into the hardware access holes on the front side of these tracks.



*Figure 8 TRACK OFFSET BRACKET ARRANGEMENT*

## MOUNT THE VERTICAL TRACKS

1. Starting with either left or right side, loosely “hang” the track assembly by its Transition Bracket Mounting Hardware. Setup and generally align the track under its respective main upper roll assembly mount bracket. (Figure 9 TRACK MOUNTING HARDWARE)
2. Now align the square hole in the metal Transition Bracket of the Track Assembly with the square hole in the lower mounting tab on the Header Bracket above. Note that the Transition Bracket of the Track Assembly should be inside of the Header bracket tab. Insert the carriage bolt from the inside of the transition and the washer and hex nut on the outside of the assembly, as shown. Just snug this hardware for now. (Figure 10 G1 STANDARD MOUNT TRACK TO HEADER **OR** Figure 11 G1 PLUS, G1XL, MODEL 2000 MOUNT TRACK TO HEADER)
3. With the track “hanging” in this position, plumb the track to make sure it is vertically aligned, and that its standoff brackets are touching the wall/mount surface. Usually with two people (one holding the track assembly in place), use a marker to trace the oval shaped mount holes on the wall to mark their pilot hole locations.
4. Move the track assembly off to the side and predrill its mounting holes. Move it back into place and secure it to the wall with appropriate hardware. Be sure to plumb each track and check vertical alignment before fully tightening hardware. The Track to Header Hardware will be removed and replaced in the next step, so snug them for now.

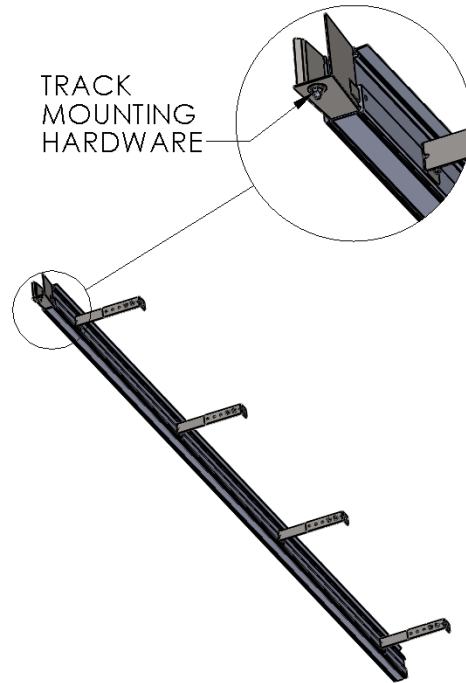


Figure 9 TRACK MOUNTING HARDWARE

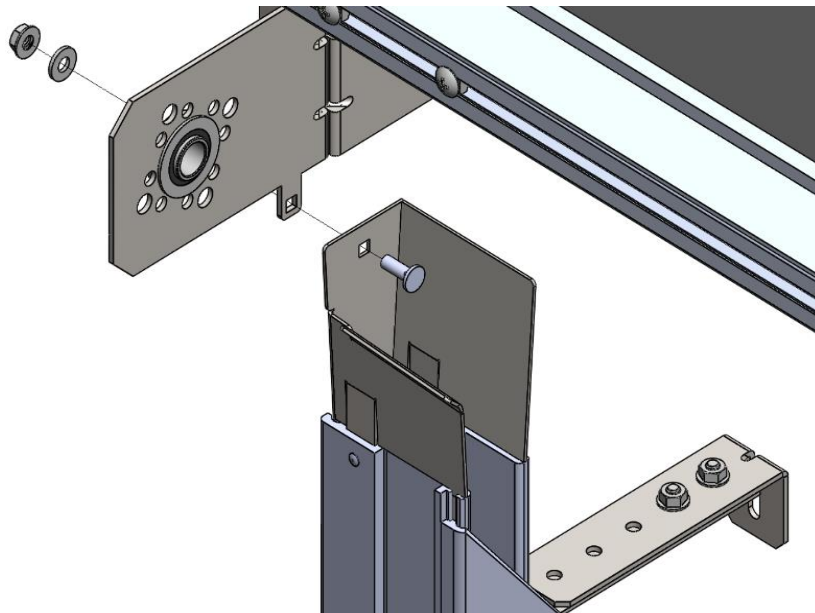
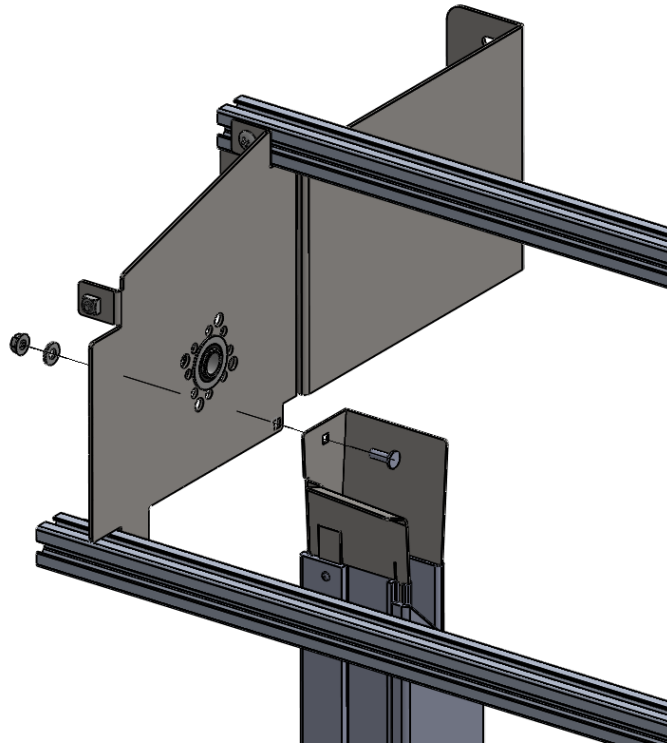


Figure 10 G1 STANDARD MOUNT TRACK TO HEADER





*Figure 11 G1 PLUS, G1XL, MODEL 2000 MOUNT TRACK TO HEADER*

## **MOUNT THE SIDE SEAL**

1. Remove the nut and washer from the Track Transition Bracket, and re-install them over the Side Seal grommet. Secure the top edge of the Side Seal to the Header Projection Brackets via the hook-and-loop strips provided in the hardware bag.  
(Figure 12 SECURE SIDE SEAL)
2. Fold the Side Seal Material to flatten it against the wall, and secure it through the material into the wall with appropriate screws. (Figure 12 SECURE SIDE SEAL)

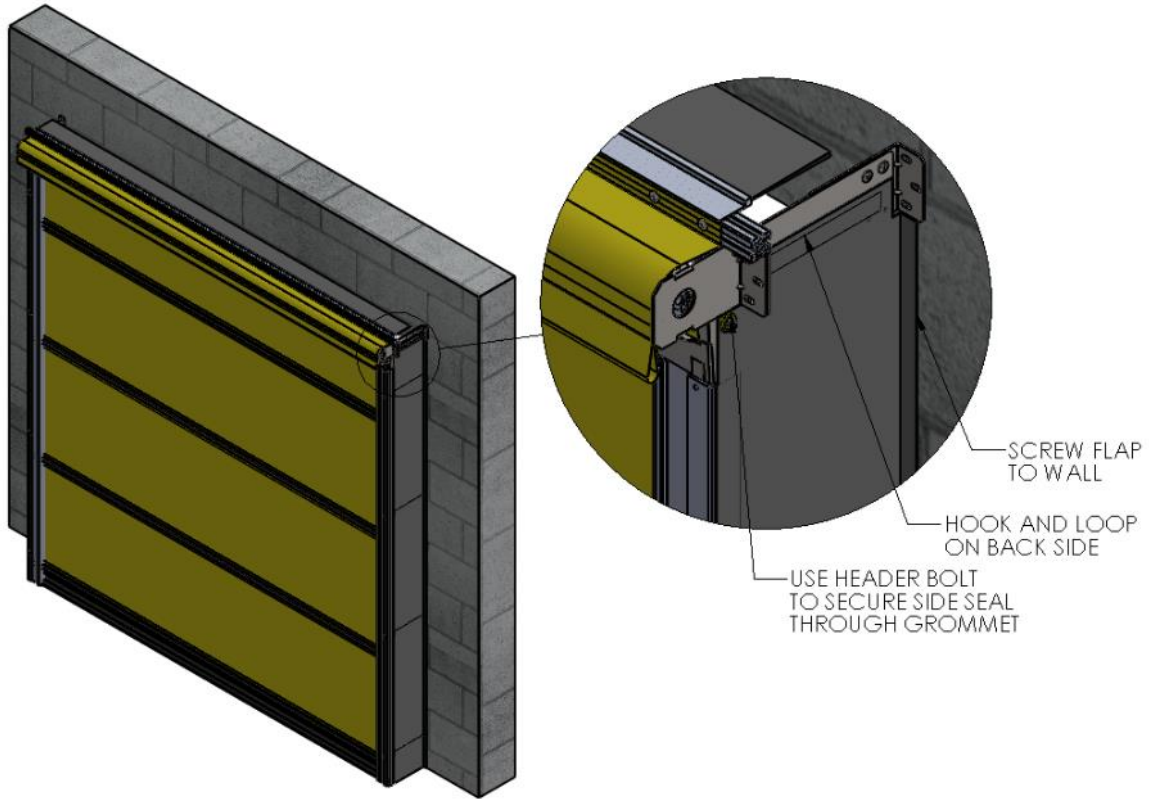


Figure 12 SECURE SIDE SEAL

# WARNING

**ALL INSTALLATION INSTRUCTIONS MUST BE FOLLOWED, AND CRITICAL ALIGNMENT REQUIREMENTS MUST BE MET.**

\*\*\*

**- ENSURE THAT THE ROLL HEADER ASSEMBLY IS LEVEL, AND THAT THE TRACKS AND BRACKETS ARE ALL PLUMB, AND SQUARE-**

\*\*\*

**OTHERWISE, THE PERFORMANCE AND CONSISTENT OPERATION OF YOUR DOOR WILL BE COMPROMISED.**

## LIMITED WARRANTY

### G1 Bug Screen/Vinyl Doors

Goff's Enterprises, Inc. warrants all G1 bug screen/vinyl doors from failure in normal use due to defects in material or workmanship for a period of **TWO years** from date of purchase with warranty related labor for the first year as approved by Goff's Technical Support Team.

Goff's Enterprises, Inc. may elect to repair or replace defective or damaged goods.

**Technical Support Team: 262-746-3374**

