

Dual Personal Safety Partition with Divider Installation Instructions

Components included in this Kit:

1. (1) Screen Assembly with Top Beam 44" x 96"
2. (2) Screen Assembly with Top and Bottom Beam 72" x 96"
3. (4) Post, Tube, Square
4. (2) Beam, Front, Aluminum, 44"L.
5. (4) Gusset, Support, Aluminum, 13"L.
6. (24) Screw, Pan Head 10-32 x 1-1/2"L.
7. (8) Screw, Pan, 10-32 x 1/2"L.
8. (2) Bracket, Angle, Small
9. (32) Nut, KEP, 10-32
10. (20) Washer, Flat, #10 (to cover slots)
11. (4) Foot, Plug, Black

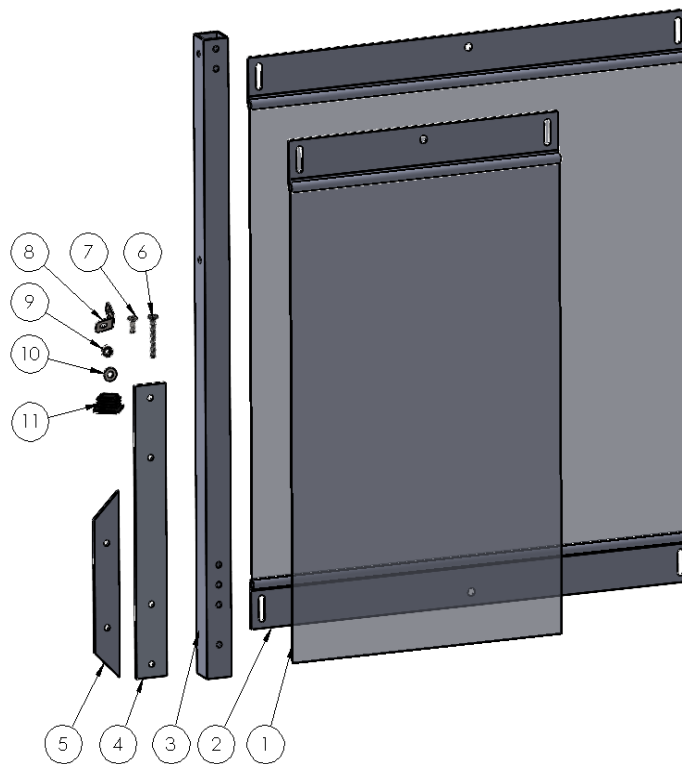
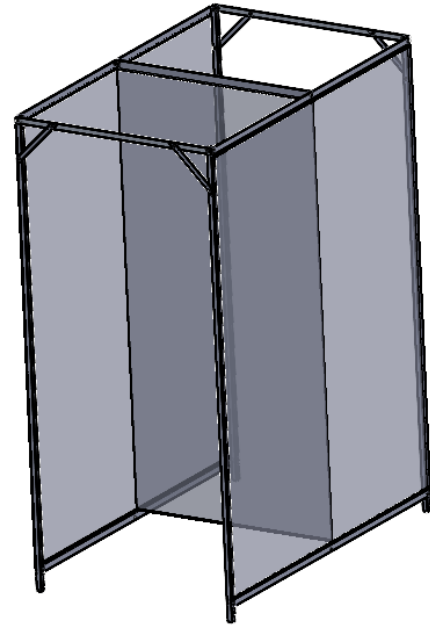


Figure 1 Component Identification

Dual Personal Safety Partition with Divider Installation Instructions

Assemble the Side Panels

- A. Slide the Foot Plug (#11) into the bottom (end with 4 holes) of the Posts (#3).
- B. Attach each slotted end of the Screen Assembly Top Beam (#2) to the Top end (end with 2 holes) of a Post (#3) with two 1-1/2" L. Screws (#6), two Flat Washers (#10), and two KEP Nuts (#9). (Figure 2 Side Panel Assembly)
- C. Attach each slotted end of the Screen Assembly Bottom Beam (#2), to the ideal holes on the lower end of the Post (#3), with two 1-1/2" L. Screws (#6), two Flat Washers (#10), and two KEP Nuts (#9).
- D. Adjust the tension of the Screen by sliding the Bottom Beam (#2), up or down and tightening the KEP Nuts (#9) when the desired tension is achieved.
- E. Repeat steps A through D for the second Screen Assembly

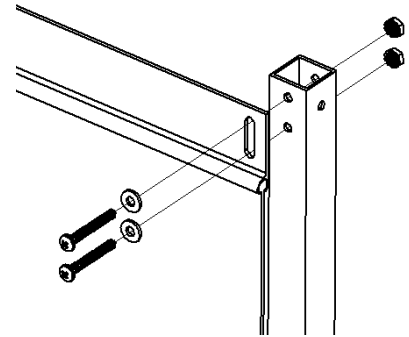


Figure 2 Side Panel Assembly

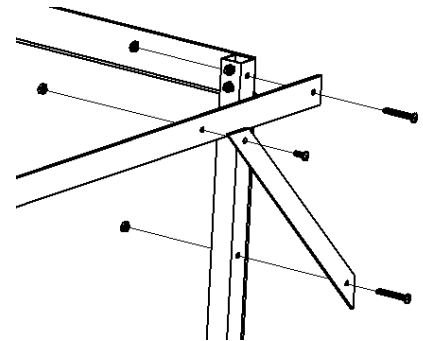


Figure 3 Arbor Assembly @ Corner

Assemble the Arbor

- A. Connect the two Screen Assemblies by attaching each end of the 44" Front Beam (#4) to the top outside hole on two Posts (#3) using one 1-1/2" L. Screw (#6), and one KEP Nut (#9). (Figure 3 Arbor Assembly @ Corner)
- B. Attach the Gusset Support (#5) to the remaining hole on the Front Beam (#4) using 1/2" Screws (#7), and KEP Nuts (#9).
- C. Attach the Gusset Support (#5) to the remaining hole on the Post (#3) using 1-1/2" L. Screws (#6), and KEP Nuts (#9).

Assemble the Divider

- A. Attach an Angle Bracket (#8) to each Side Panel Top Beam using 1/2" L. Screws (#7), and KEP Nuts (#9). (Figure 4 Divider Assembly @ Middle)
- B. Attach the Screen Assembly (#1) to the Angle Brackets (#8) using 1/2" L. Screws (#7), Flat Washers (#10), and KEP Nuts (#9).

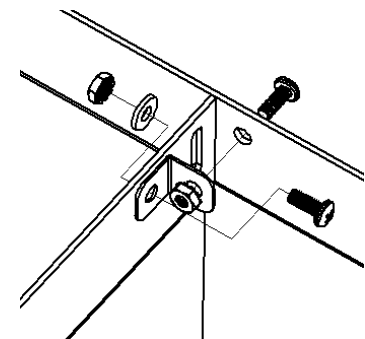


Figure 4 Divider Assembly @ Middle

NOTE: If you are having trouble assembling your Personal Safety Partition, seek the help of a professional or contact Global Technical Support.