



READ THIS MANUAL CAREFULLY. OBSERVE WARNINGS AND PRACTICE CAUTION WHEN INSTALLING, OPERATING, OR MAINTAINING YOUR GOFF'S CURTAIN ASSEMBLY.

Curtain Roll-Up Assembly Instruction

Identify and Familiarize with the Component Parts

Locate Hardware bag/box and verify count – There should 1 (One) of each item for each Curtain. (Figure 1 Installation Components)

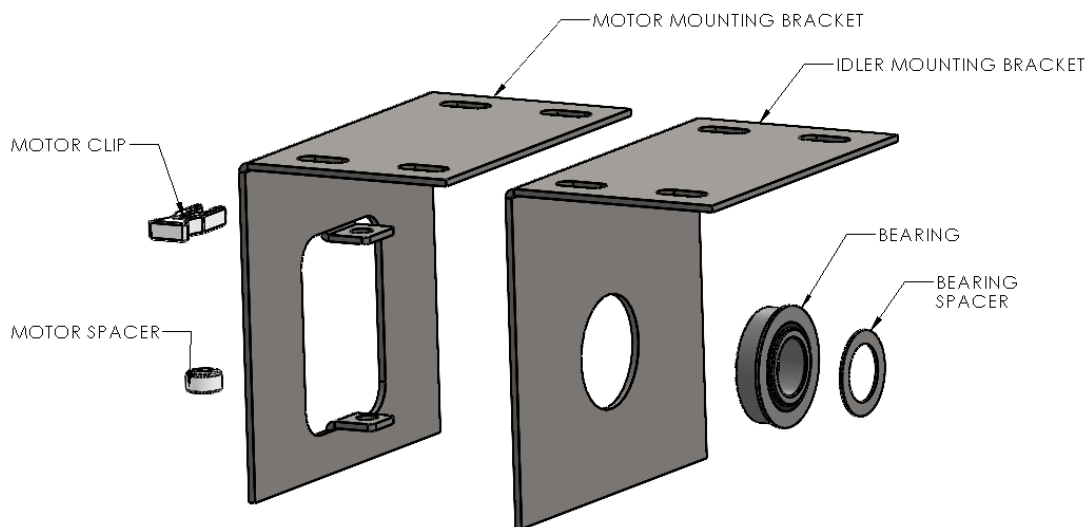


Figure 1 Installation Components

Mark a common Reference line

1. Snap a chalk line 3-1/4" from the Centerline of Roll Tube along the entire run to indicate the outer edge of the Mounting Brackets.

Installation of the First Curtain Roll

Prepare the Idler Side (on left)

2. Align an Idler Mounting Bracket edge to your chalk line at the far-left end of the run (see NOTE below), transfer the mounting hole locations onto your mounting surface, and mount the Idler Mounting Bracket with appropriate hardware (Not Included).
3. From the inside/Roll side of the Idler Mounting Bracket, insert a Flanged Bearing into the hole of the Idler Mounting bracket. (Figure 2 Idler End Assembly Order)

NOTE: Allow 1-3/4" for Idler shaft to protrude beyond the Idler Mounting Bracket's outer edge.

Prepare the Roll Assembly

4. Slip a Bearing Spacer onto the Idler Shaft. (Figure 2 Idler End Assembly Order)

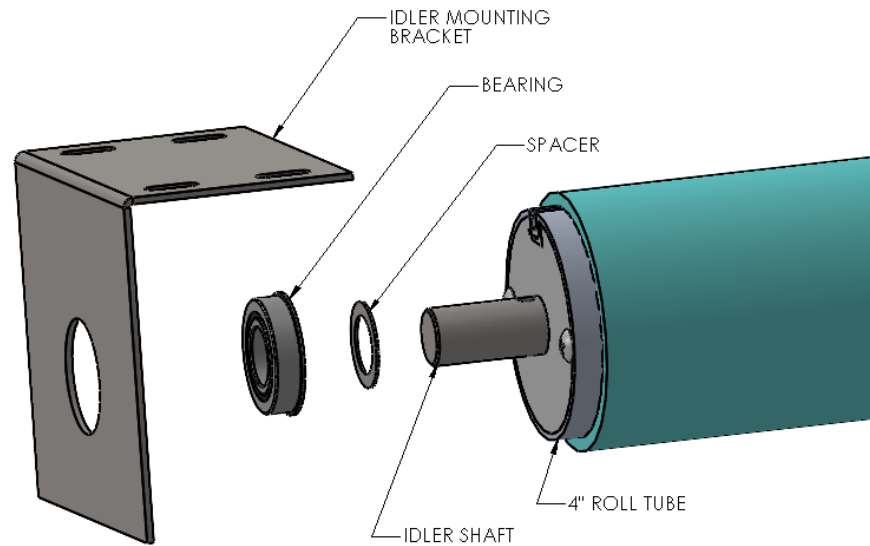


Figure 2 Idler End Assembly Order

Prepare the Motor Side (on right)

5. On the motor end of the Roll Assembly, insert the Motor's Peg into the Top (or Back) hole of the Motor Mounting Bracket. (Figure 3 Motor End Assembly Process)
6. Slip the Motor Spacer ring onto the other Motor Peg.
7. Turn the Motor and slip the Peg into the other hole in the Motor Mounting Bracket.
8. To retain the Motor Pegs in the holes of the Motor Mounting Bracket, slip the Plastic Clip (Clothes pin shaped) onto the Top (or Back) motor peg to fill the remaining space.

Install the Roll Assembly

9. Raise the Roll Assembly, with the Bearing Spacer and Motor Mounting Bracket installed, then insert the Idler shaft into the Flanged Bearing of the Idler Mounting Bracket. (Figure 2 Idler End Assembly Order)
10. Align the Motor Mounting Bracket's edge to your chalk line, transfer the mounting hole locations, then drill and secure the Motor Mounting Bracket to the mounting surface.

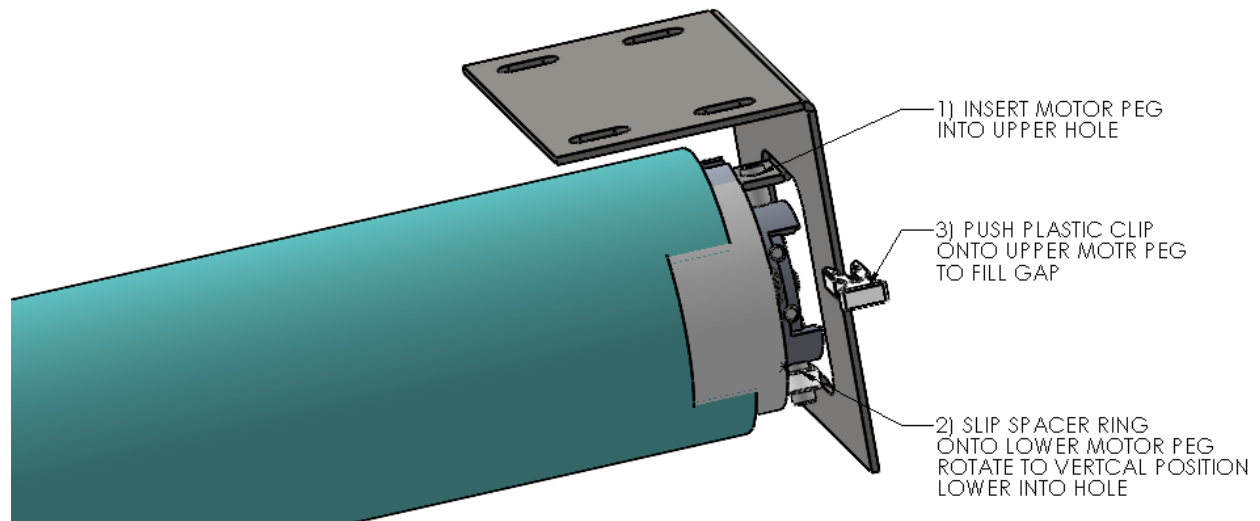


Figure 3 Motor End Assembly Process

Mounting Consecutive Curtain Rolls

11. Measure 1-3/4" from the outer surface of the Motor Mounting Bracket. (Figure 4 Mounting Bracket Spacing)
12. Mark to indicate the outside edge of the next Idler Mounting Bracket.
13. Repeat the steps above.

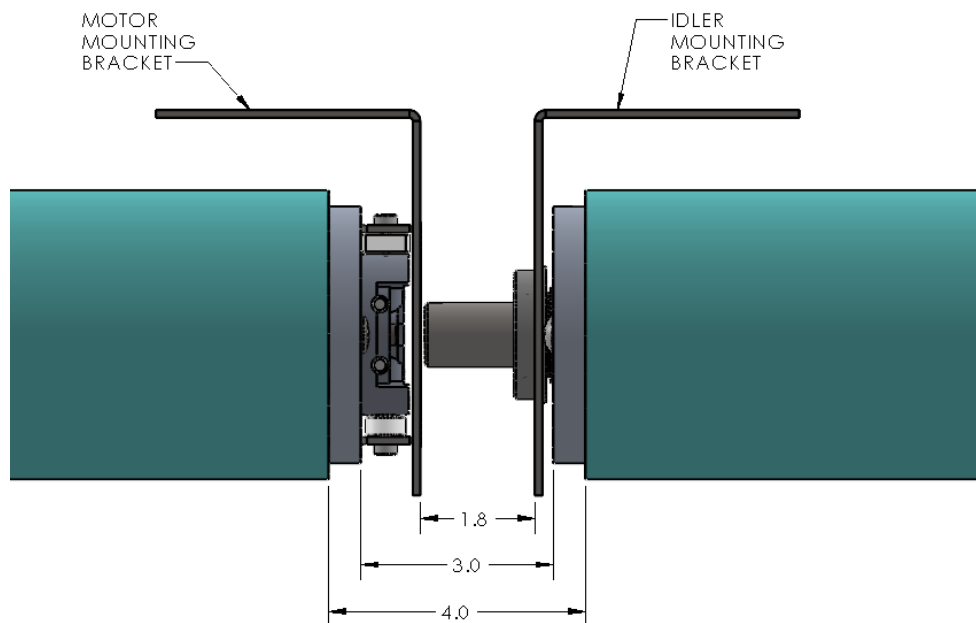


Figure 4 Mounting Bracket Spacing

WARNING

ALL INSTALLATION INSTRUCTIONS MUST BE FOLLOWED. CRITICAL ALIGNMENT REQUIREMENTS MUST BE MET IN ORDER TO ENSURE THAT THE ROLL ASSEMBLY IS LEVEL, FAILURE TO DO SO WILL ALTER THE PERFORMANCE AND CONSISTENT OPERATION OF YOUR CURTAIN.

LIMITED WARRANTY

ROLL-UP CURTAINS



Goff's Enterprises, Inc. warrants all Roll-Up Curtains from failure in normal use due to defects in material or workmanship for a period of **FIVE years**, and **ONE year** for the Motor or Hand Crank, from date of purchase. This warranty includes **all parts and warranty related labor** as approved by Goff's Tech Support team. Goff's Enterprises, Inc. may elect to repair or replace defective or damaged goods.