

Clean Curtain Track System Installation Instructions

System Overview

Your Goff's Clean Curtain Track System is a corrosion resistant partitioning divider designed for wash-down and low contamination areas. It is manufactured from Stainless Steel, and Delrin, exhibiting anti-microbial and anti-oxidation characteristics.

The Stainless Steel Track System is modular and sectional in design. Pieces telescope together using stub splices that are sealed with BioSeal RTV Silicone to eliminate entrapment and contamination crevices and gaps.

Assembly Notes

Your kit will have all of the necessary hardware, components, and a Custom Track Layout Drawing for a complete Track and Curtain Assembly.

Please unpack the components carefully, and notify the factory if there are any shortages, or if any items have been damaged during transit. (Figure 1 Component Part Identification)

Track systems are more easily assembled on the floor, and then raised in smaller sections for installation. Refer to the provided Custom Track Layout Drawing for component locations.

Track sections and components cannot be cut or adjusted in the field.

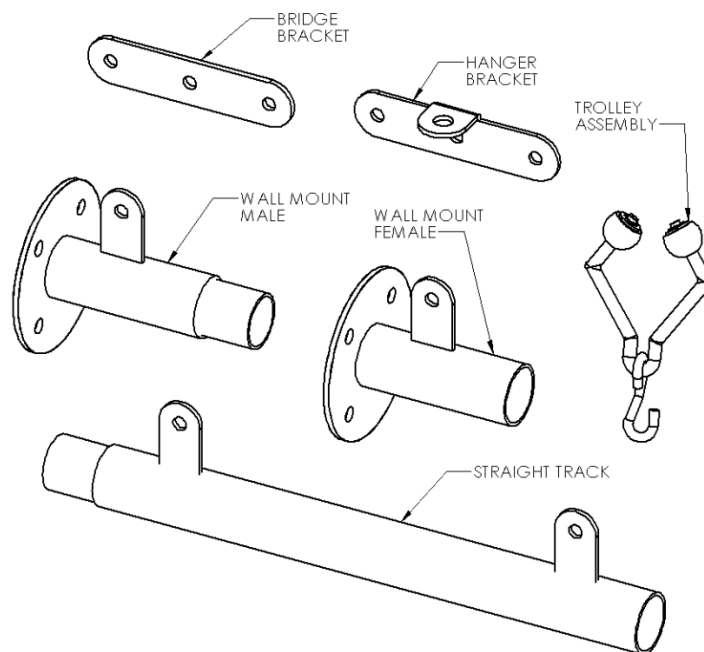


Figure 1 Component Part Identification

Clean Curtain Track System Installation Instructions

Installation Notes

Appropriate Installation hardware, straps, threaded rods, clamps, turnbuckles, etc. will be supplied by the Installer. Along with supplying all appropriate bracketry and hardware, the Installer is responsible for using best practices to install the Track system in your facility.

To reduce sway and deflection of large, elaborate systems, crisscross/angled drop supports will be required.

Allow the Curtains to warm to room temperature before unfolding them.

Track Assembly Process

Refer to the Custom Track Layout Drawing (included), and lay the parts out on the ground in sequential order before assembling the system.

Bridge Brackets are used at Wall Mount locations, and Hanger Brackets are used to secure mid-Track joints. (Figure 2 General Component Assembly)

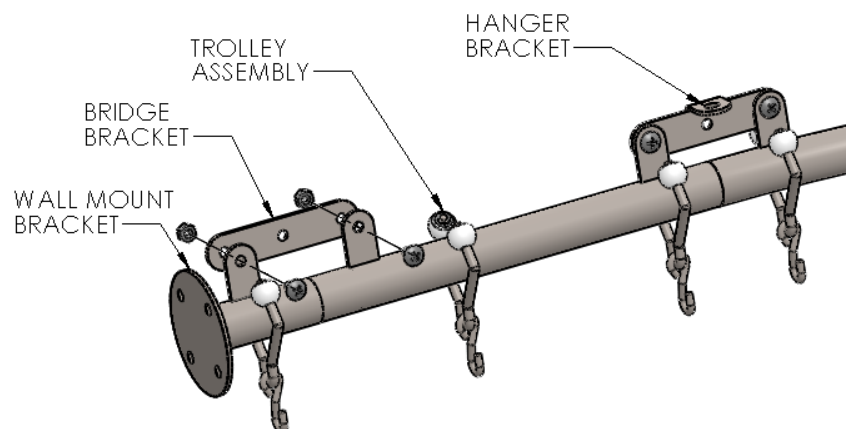


Figure 2 General Component Assembly

Apply a bead of BioSeal RTV Silicone (included) all the way around each telescoping joint before joining a wall Mount Bracket, Bridge Bracket, or Hanger Bracket, with the provided 1/4" hardware. Note: The RTV is a sealant which provides a hermetic seal, but it does not provide any form of structure, mechanical rigidity, or bonding. (Figure 3 Apply BioSeal RTV Silicone)

Clean Curtain Track System Installation Instructions

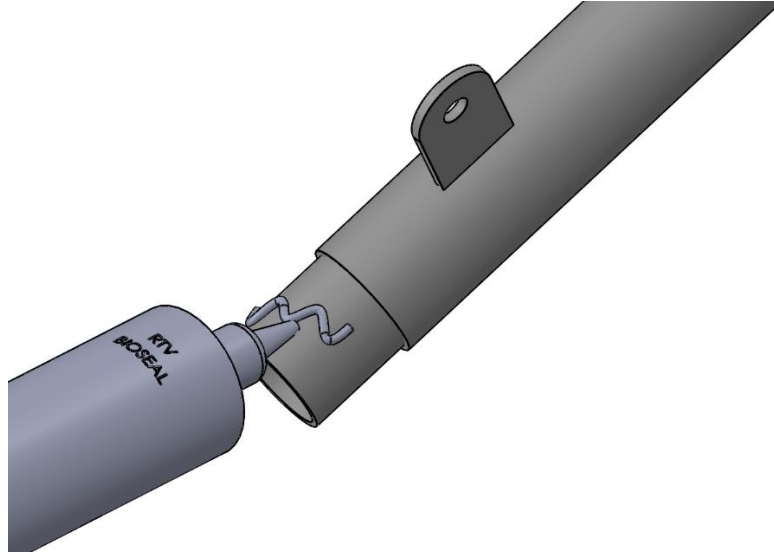


Figure 3 Apply BioSeal RTV Silicone

Before assembling the final Wall Mount Bracket, slide the Trolley Assemblies onto the Track.
(Figure 2 General Component Assembly)

Curtain Installation

When the Curtains have reached room temperature, unfold them.

Begin at one end inserting the grommets onto the hooks.

A single Curtain will use a Trolley for each Grommet.

For a single Curtain arrangement, crimp the Trolley Hooks closed after the Grommets are installed on the Hooks. (**Error! Reference source not found.**)

For multiple Curtain installation

The 1st Curtain will use a Trolley for each Grommet.

The 2nd Curtain will share the last two (2) Trolleys of the 1st Curtain. (Figure 4 Overlap - Multiple Curtain Assembly)

Crimp the Trolley Hooks closed after the Grommets are installed on the Hooks.

Clean Curtain Track System Installation Instructions

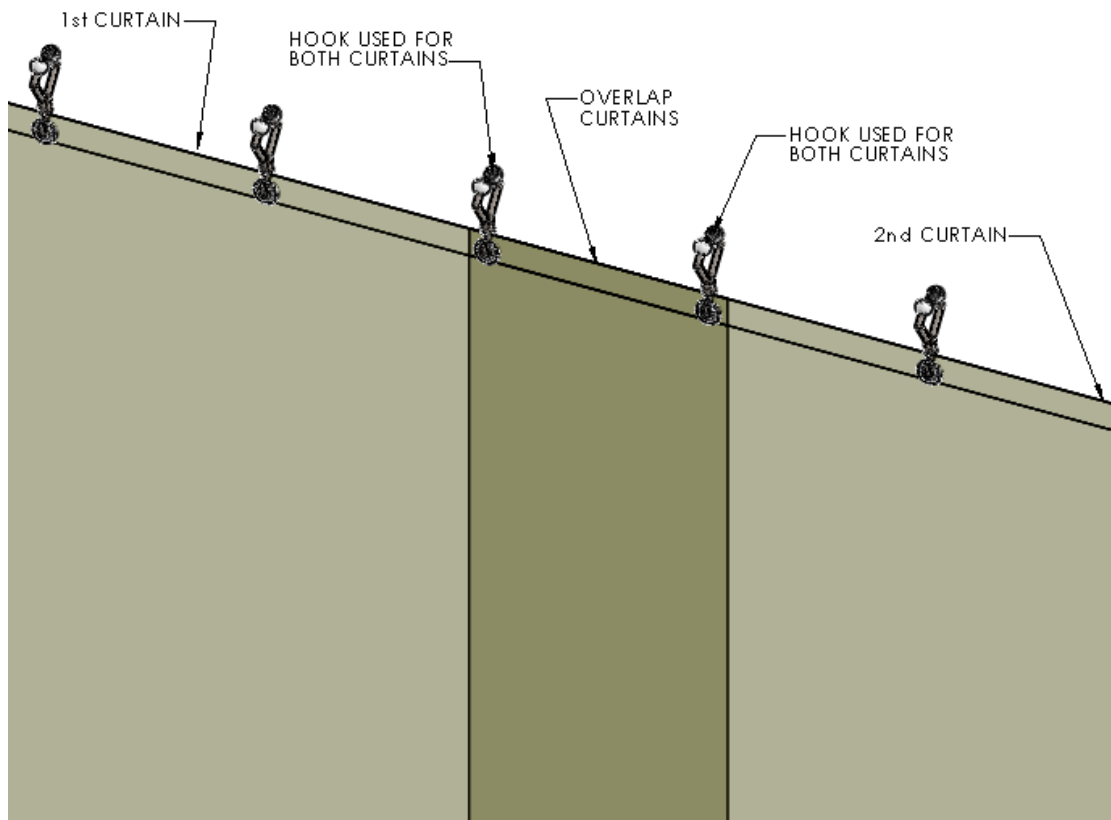


Figure 4 Overlap - Multiple Curtain Assembly