



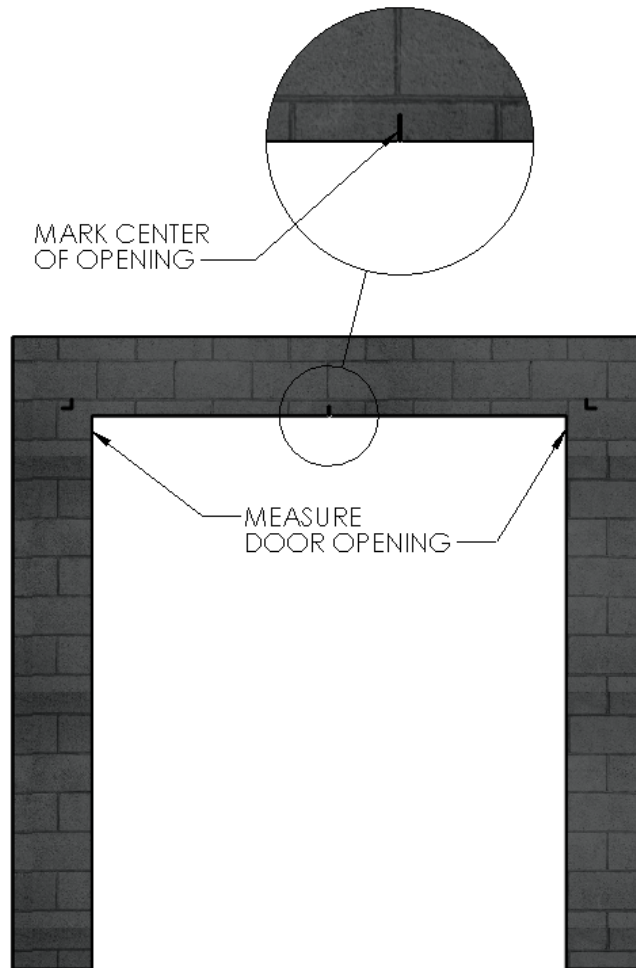
**READ THIS MANUAL CAREFULLY. OBSERVE WARNINGS AND PRACTICE CAUTION WHEN INSTALLING, OPERATING, OR MAINTAINING YOUR GOFF'S G1 DOOR ASSEMBLY.**

## **Bi-Parting Side Seal Curtain - Projection Mounted INSTALLATION INSTRUCTIONS**

### **PREPARE MOUNTING SURFACE AND SECURE HEADER BRACKETS**

1. Measure the opening or frame at the outermost edges on each side near the top of the opening. Divide that overall width measurement in half to find and clearly mark the center of the top of the door frame or its header. (Figure 1 FIND & MARK OPENING CENTERLINE)
2. Place the Curtain Header Assembly across two or three saw horses, or another safe and level work surface, and rotate the Header assembly frame so that the Header Bracket mount flanges are facing upward. (Figure 2 MEASURE HEADER WIDTH).
3. Measure the total width of the whole Header assembly from outermost edge of one bracket to the outermost edge of the opposite side. (Figure 2 MEASURE HEADER WIDTH)
4. Divide that number by 2 and measure to each side of the center mark in step 1. Mark a vertical line at these locations. This is where the outer edges of the Header Bracket Assembly's offset mount flanges will be. (Figure 3 MARK DOOR WIDTH & HEIGHT ON WALL)
5. Measure 2-1/4" above the opening at the highest point. Add a horizontal line on each side that intersects the previously drawn vertical line marking the overall width of the Header assembly. This is the height line will locate the bottom edge of the mount flanges. (Figure 3 MARK DOOR WIDTH & HEIGHT ON WALL)
6. Using two (2) people, and two ladders at minimum, raise the Header Assembly to fit between, and above, your markings on the wall. On each end Bracket, trace the mounting slots onto the wall mount surface (a Sharpe permanent marker works great for this). Be sure that that its bottom edge is on the height line, and that the outer edge is on your vertical overall width line. NOTE: We will mark and drill for the Center Bracket later. (Figure 4 MARK & MOUNT HEADER ASSEMBLY TO WALL)

7. Predrill through the centers of the traced locations for the mounting hardware, three (3) pilot holes on each side. Using adequate mounting screws or bolts (depending on your building/surface material) attach the header offset brackets to each side of the opening. NOTE: We will mark and drill for the Center Bracket later. (Figure 4 MARK & MOUNT HEADER ASSEMBLY TO WALL)



*Figure 1 FIND & MARK OPENING CENTERLINE*

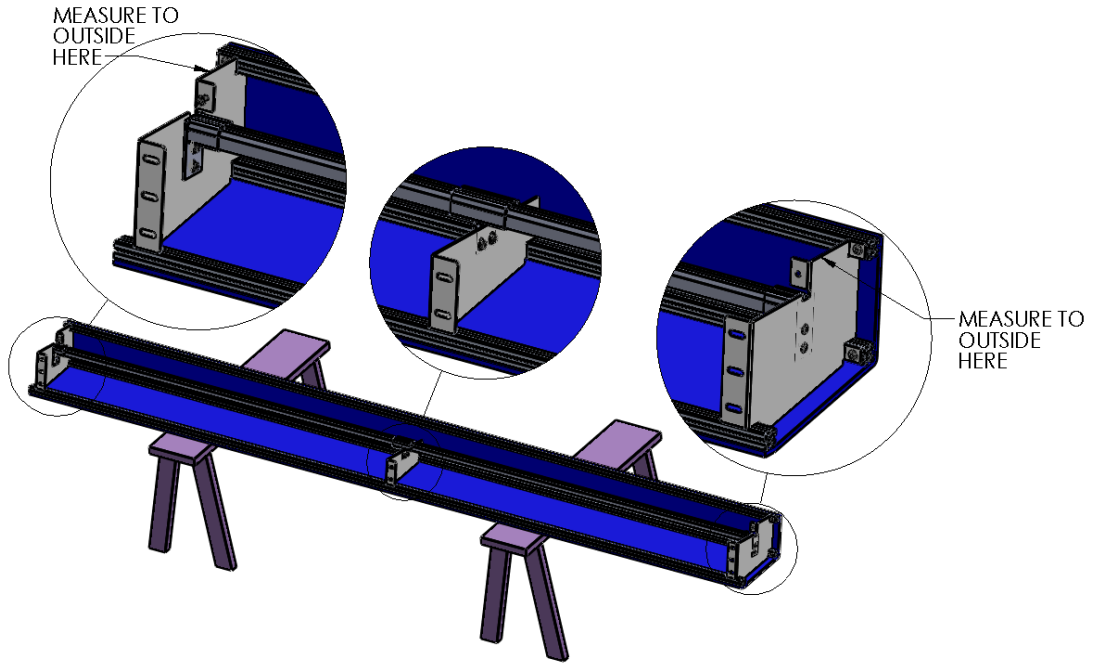


Figure 2 MEASURE HEADER WIDTH

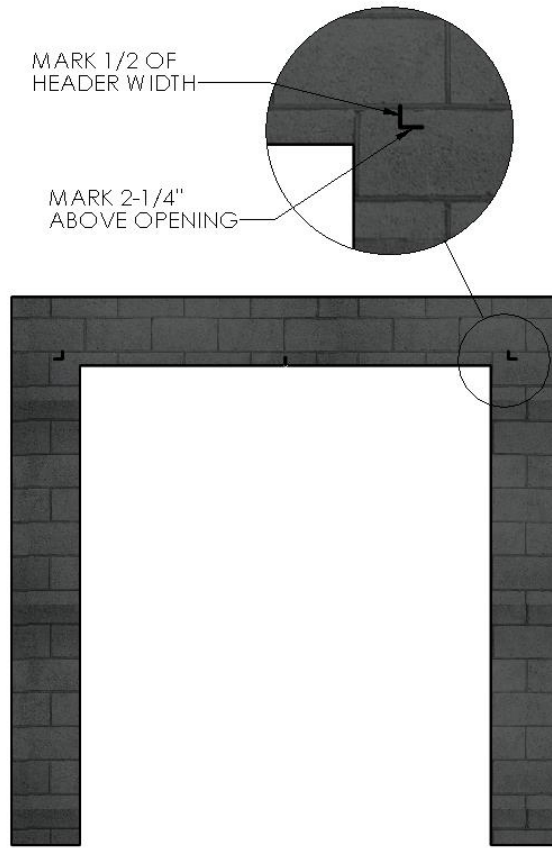


Figure 3 MARK DOOR WIDTH & HEIGHT ON WALL

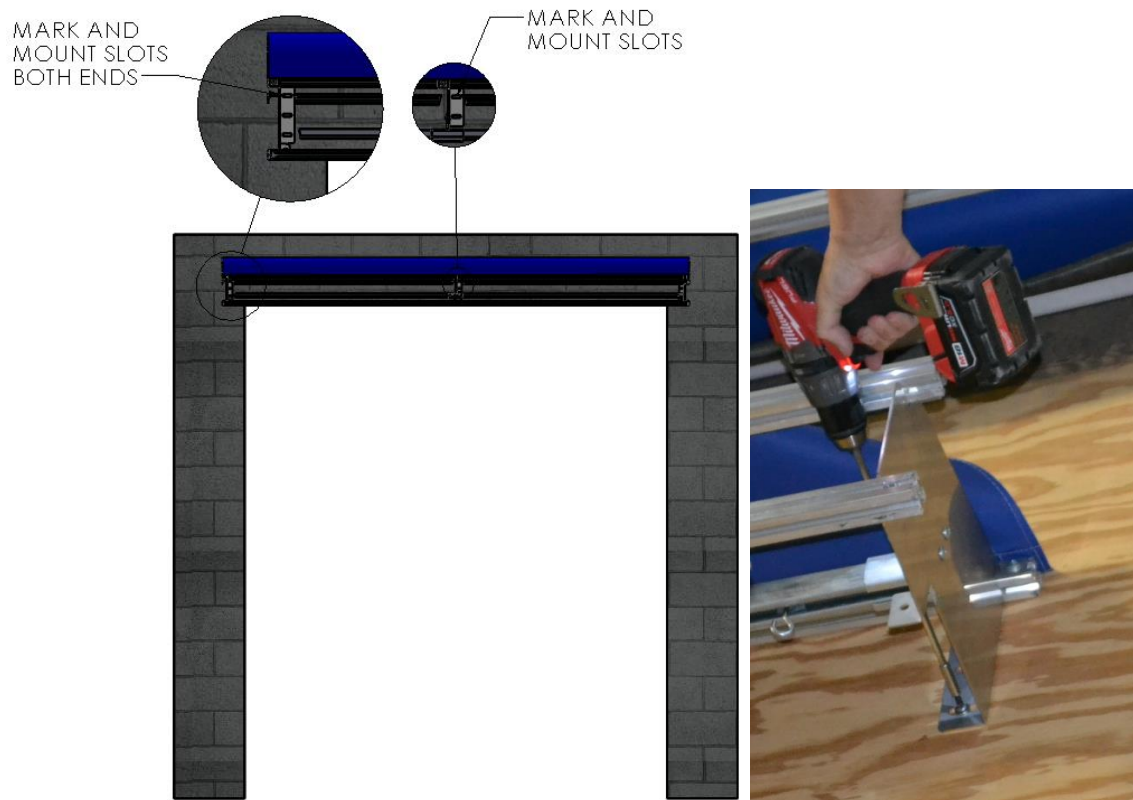


Figure 4 MARK & MOUNT HEADER ASSEMBLY TO WALL

### **RAISE AND ATTACH THE HEADER ASSEMBLY**

1. Using two (2) people, and two ladders at minimum, raise the Header Assembly into place on the wall, fold or roll the valance material up, and loosely secure with three (3) sets of mounting hardware per side with screws or bolts, adequate to your building/surface material. You may want to use a 12" extension on your driver. (Figure 4 MARK & MOUNT HEADER ASSEMBLY TO WALL)
2. Check the Header Assembly for level, and fully tighten all six sets of hardware.

3. At the Center Bracket, level the Track, mark and drill, and secure the Bracket with two (2) sets of mounting hardware adequate to your building/surface material. You may want to use a 12" extension on your drill/driver. (Figure 5 CENTER BRACKET MOUNTING)



*Figure 5 CENTER BRACKET MOUNTING*

## **PREPARE THE CURTAIN ASSEMBLY**

1. Lay the curtain roll across 2 or 3 horses, or other flat surface.
2. Install the Projection Brackets perpendicular to the length of the oval bar with the hardware provided in the bar. (Figure 6 PROJECTION BRACKET ORIENTATION (INSTALLED ON MOUNTING SURFACE))



*Figure 6 PROJECTION BRACKET ORIENTATION (INSTALLED ON MOUNTING SURFACE)*

## **RAISE AND ATTACH THE CURTAIN ASSEMBLY**

1. Stand one curtain section upright with grommets along the top edge. The oval shaped fiberglass bar will mount to the End Mount Bracket after the curtain is suspended from the hooks. (Figure 7 UNROLL CURTAIN, HOOK GROMMETS)

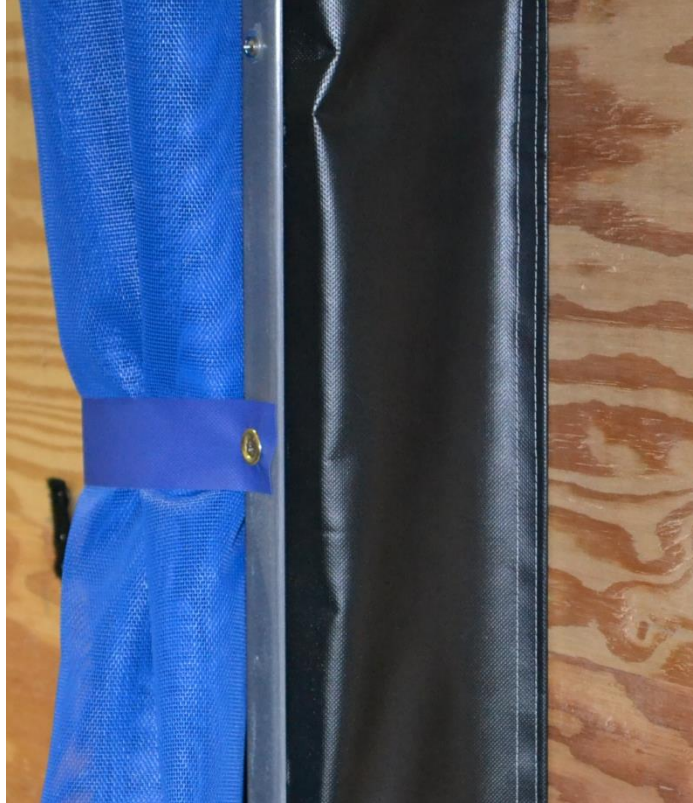


*Figure 7 UNROLL CURTAIN, HOOK GROMMETS*

2. Begin hooking the grommets onto the Roller Hooks near the end bracket. Continue unrolling more curtain, and hooking the grommets, while working toward the Header center, until completed. (Figure 7 UNROLL CURTAIN, HOOK GROMMETS)
3. Crimp the roller hooks closed to prevent the curtain from un-hooking.
4. Using the hardware provided, bolt the oval vertical to the End Bracket.
5. Repeat this process for the other curtain half/side. The curtain sides should overlap about 2" at the center when completed. (Figure 8 CAM-LOCK ARRANGEMENT (SHOWN NOT FULLY CLOSED), Figure 10 CURTAINS IN CLOSED POSITION/ CAM LOCK LAYOUT)



*Figure 8 CAM-LOCK ARRANGEMENT (SHOWN NOT FULLY CLOSED)*



*Figure 9 SIDE SEAL FOLDED AGAINST MOUNTING SURFACE*

### **MARK AND DRILL FOR PROJECTION MOUNT BRACKETS**

1. Install the oval fiberglass bar to the End mount Brackets with the hardware provided in the bar.
2. Plumb the bar vertically, and trace the mounting hole locations on the mounting surface.
3. Move the bar aside, and drill the mounting surface for your hardware.
4. Move the bar back into place, plumb the bar, and secure your mounting hardware.

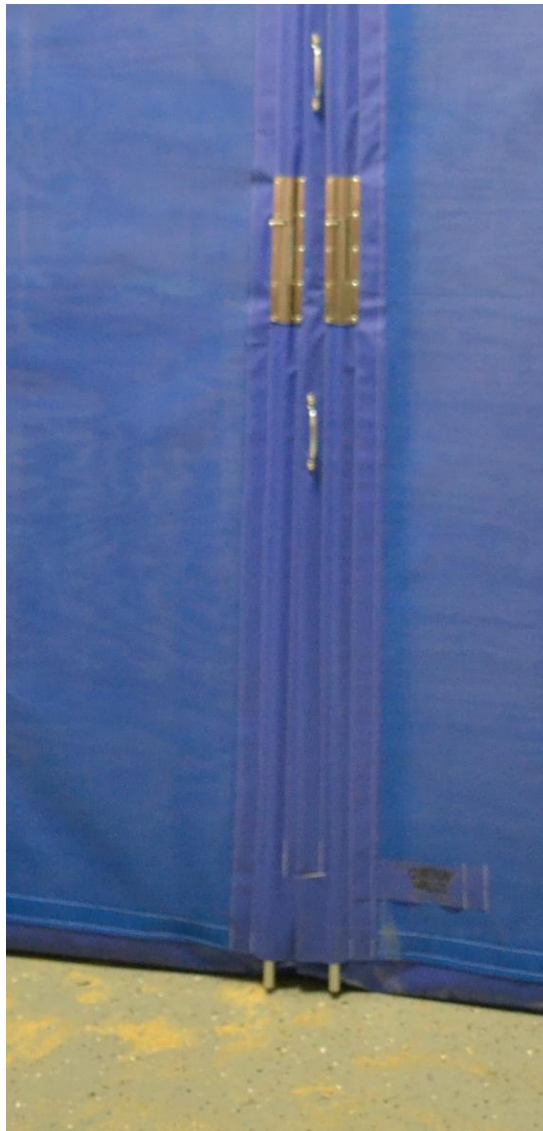
### **MARK INSTALL SIDE SEALS**

1. Fold the Side Seals against the wall, and fasten through the vinyl into the mounting surface. (Figure 9 SIDE SEAL FOLDED AGAINST MOUNTING SURFACE)



## **MARK AND DRILL FOR THE CAM-LOCKS**

1. At the center of the Curtain, make sure the curtains are taught on each side and overlap them to engage the magnets. Check the curtain for plumb in the front/back orientation. Mark the Cam-Lock Tubing location on the floor surface. Drill  $\frac{3}{4}$ " Dia. (minimum) receiving holes in the floor surface to a minimum depth of 1". (Figure 10 CURTAINS IN CLOSED POSITION/ CAM LOCK LAYOUT)



*Figure 10 CURTAINS IN CLOSED POSITION/ CAM LOCK LAYOUT*

**Goff's Curtains**



Goff's Enterprises, Inc. warrants all Curtain Wall systems from failure in normal use due to defects in material or workmanship for a period of five years from date of purchase. Lifetime warranty on all track and roller hardware. Goff's Enterprises, Inc. may elect to repair or replace defective or damaged goods.