



# STRIP DOOR INSTALLATION INSTRUCTIONS

## TOOLS NEEDED

- Pen or Pencil to mark drill holes
- Drill
- 7/16" Diameter Fasteners
- Step Stool or Ladder
- Utility Knife to cut strips

## IMPORTANT:

Prior to installation, **unroll all door strips** and place them on a clean, flat surface in a warm atmosphere for a minimum of twenty-four (24) hours. This will allow the strips to return to their original form.

1. Mount the hardware bracket in either the under header or wall position shown in Diagrams 1 and 2 using appropriate fasteners supplied by others (recommended 7/16" diameter.)
2. Press the door strips onto the threaded studs of the hardware bracket making certain that the concave sides are facing each other (Diagram 4.) Attach strips numbers 1 and 3 (see Diagram 3) with concave side toward you, leaving desired spacing between the strips as indicated by the diagram on the following page.

Diagram 4



Diagram 1  
Under Header (lintel) Position

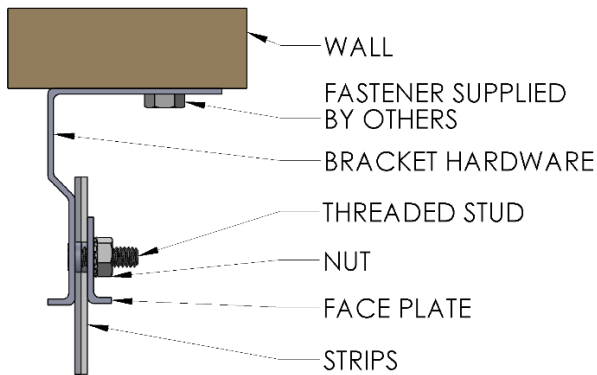


Diagram 2  
Wall (header) Position

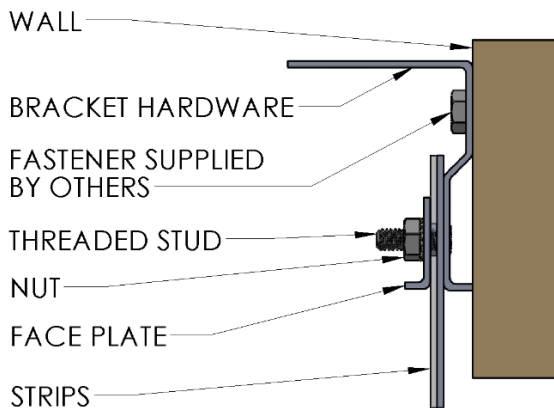
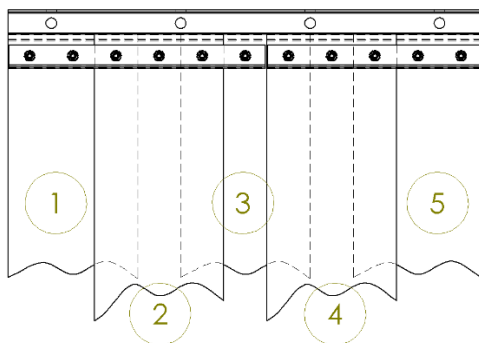


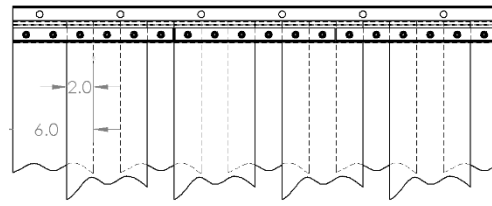
Diagram 3  
Front View Strip Spacing



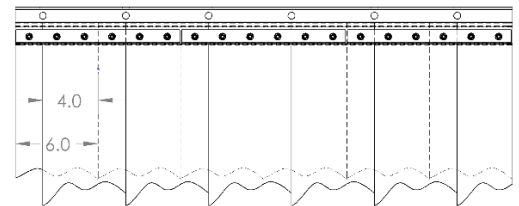
3. Attach strip number 2 with concave side away from you over strips number 1 and 3 (Diagram 3.) Slide the supplied face plates onto the threaded studs. Then, screw the supplied nuts onto the threaded studs.
4. Attach all remaining door strips in the same manner as in steps 2 and 3, making certain that the concave sides face each other (Diagram 4)
5. After all the strips have been attached, the strips should be trimmed to leave 1/4" of clearance from the floor surface Your PVC door strips may be trimmed by using a common utility knife to score and then be torn by hand. **The door strips need to hang for 24 to 48 hours before final trim to allow for proper alignment.**

## STRIP PLACEMENT GUIDE

6" WIDE MATERIAL

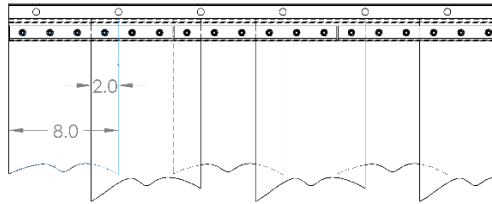


PARTIAL OVERLAP 66%

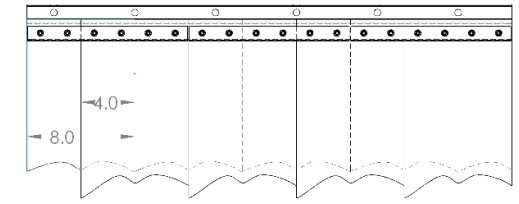


FULL OVERLAP 100%

8" WIDE MATERIAL

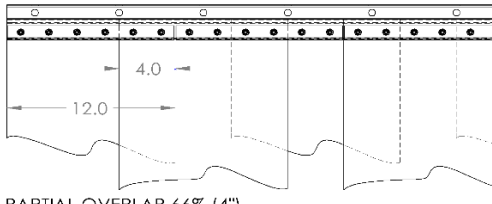


PARTIAL OVERLAP 50%

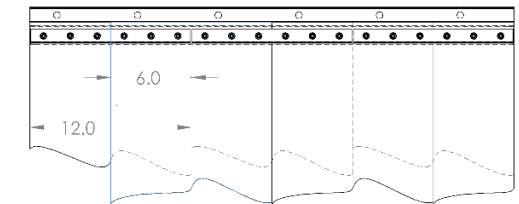


FULL OVERLAP 100%

12" WIDE MATERIAL

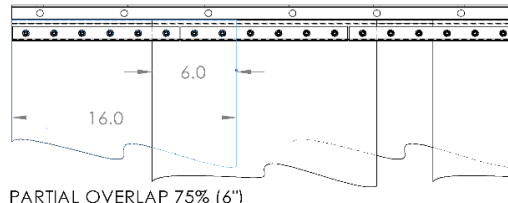


PARTIAL OVERLAP 66% (4")  
PARTIAL OVERLAP 33% (2")

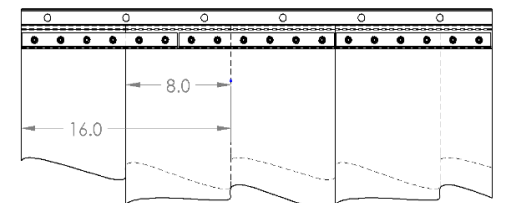


FULL OVERLAP 100%

16" WIDE MATERIAL



PARTIAL OVERLAP 75% (6")  
PARTIAL OVERLAP 50% (4")  
PARTIAL OVERLAP 25% (2")



FULL OVERLAP 100%

## WARNING

**ALL INSTALLATION INSTRUCTIONS MUST BE FOLLOWED,  
FAILURE TO DO SO WILL ALTER PERFORMANCE.**

## LIMITED WARRANTY

Goff's Enterprises, Inc. warrants all Strip Doors from failure in normal use due to defects in material or workmanship for a period of **THREE years** from date of purchase. This warranty includes **all parts and warranty related labor** as approved by Goff's tech support team. Goff's Enterprises, Inc. may elect to repair or replace defective or damaged goods.

**READ THESE INSTRUCTIONS CAREFULLY. OBSERVE WARNINGS AND PRACTICE CAUTION WHEN INSTALLING OR MAINTAINING YOUR STRIP DOOR ASSEMBLY.**