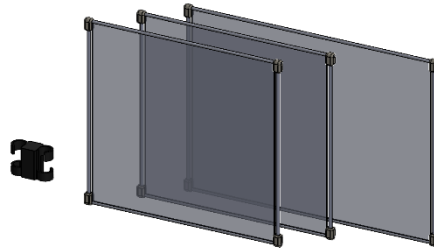


Desk Top Cubical Assembly Instructions

Components

- A. (1) Panel, Large
- B. (2) Panel, Small
- C. (4) Hinge Clip, plastic



Assembly

1. Place a Small and Large Panel next to each other on a flat surface (Figure 1).
2. Arrange the Plastic Hinge Clip between the posts (Figure 2-A, 2-B).
3. Rotate the Hinge Clip so that it snaps around the posts (Figure 2-B, 2-C).
4. Install another Hinge Clip to the same two posts.
5. Slide them to the ends of the posts.
6. Lay the other Small Panel on the other side of the Large Panel (Figure 3).
7. Install two Hinge Clips to the posts to connect them to each other.
8. Fold Small panels in and stand the assembly upright.

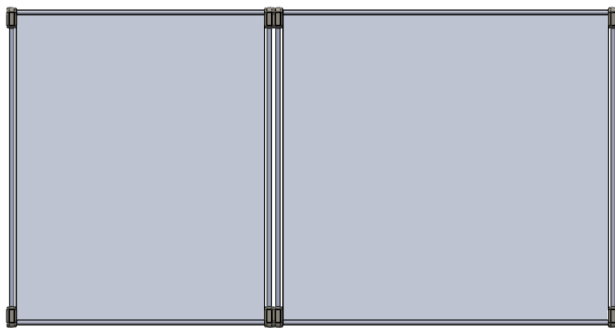


Figure 1 Small and Large Panels Step1

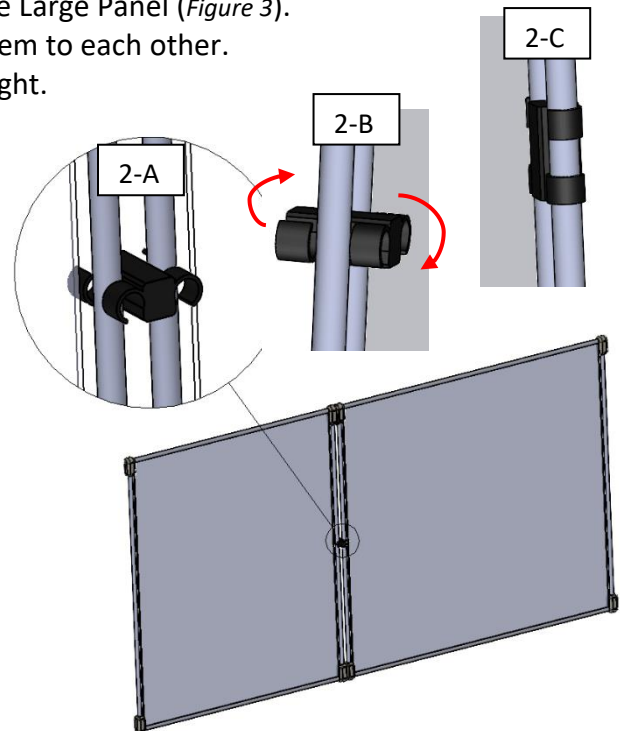


Figure 2 Insert Hinge Clips Step2-5

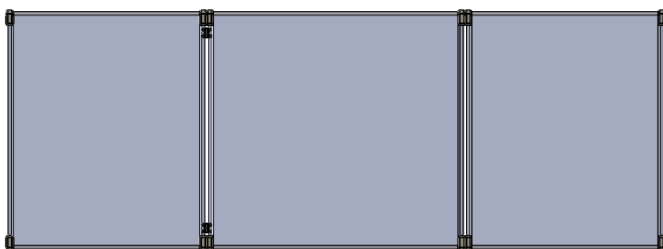


Figure 3 Lay 3rd Panel Step 6